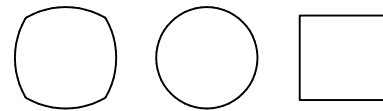


CONGREGATE | ALTEEZA - PNEUMATIC HEIGHT ADJUSTABLE TABLE

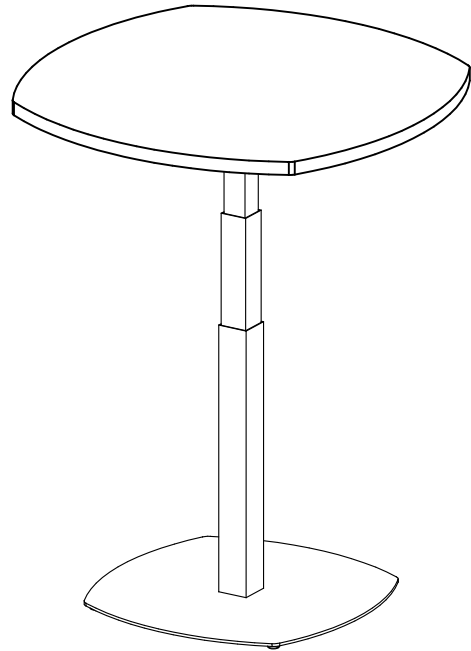
INSTALLATION INSTRUCTIONS

P/N 23887-01 SHEET 1 OF 4

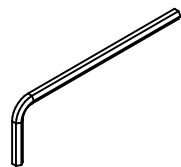
WORK SURFACE SHAPES:



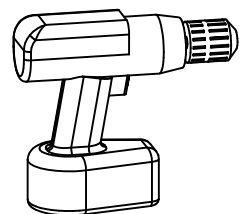
PRODUCTS:



TOOLS REQUIRED:

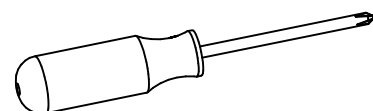


5MM ALLEN WRENCH



POWER SCREWDRIVER

#2 PHILLIPS DRIVER TIP
#3 PHILLIPS DRIVER TIP

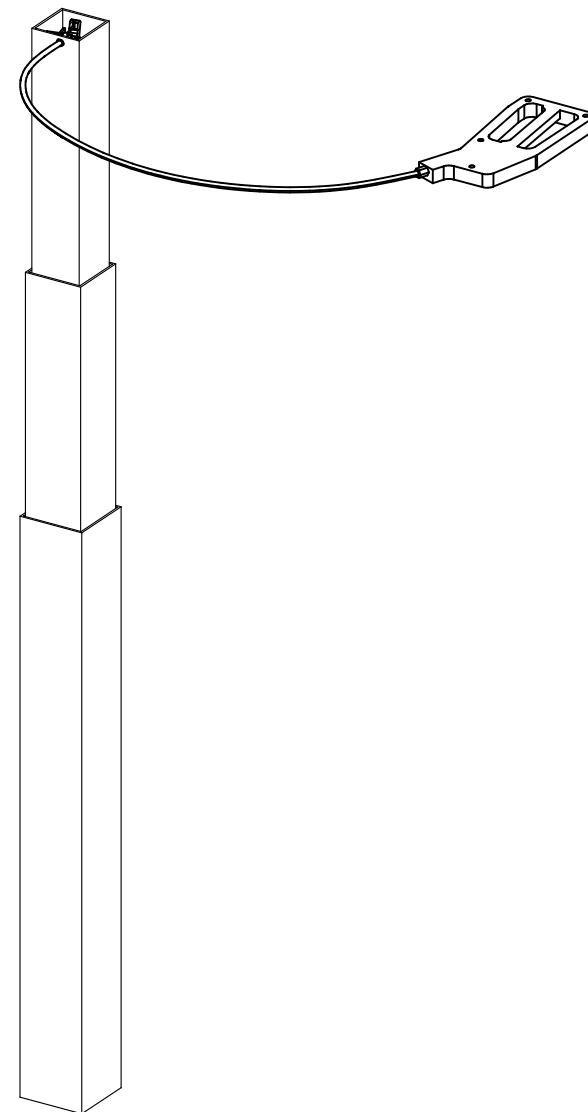


#2 PHILLIPS SCREWDRIVER

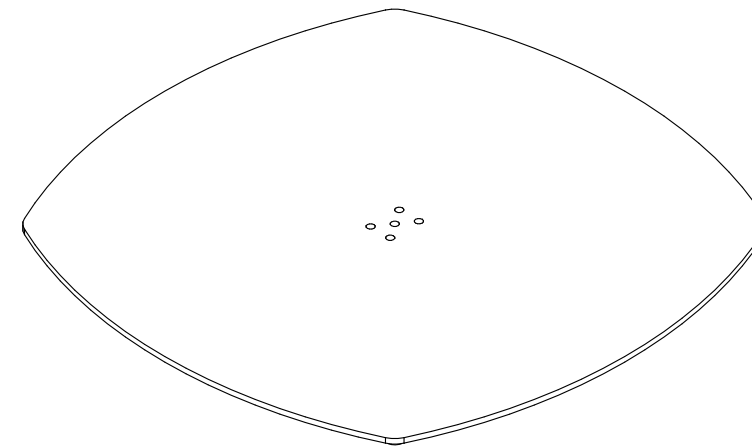
PARTS INCLUDED:

A WORKSURFACE
(SEE SHAPES ABOVE)

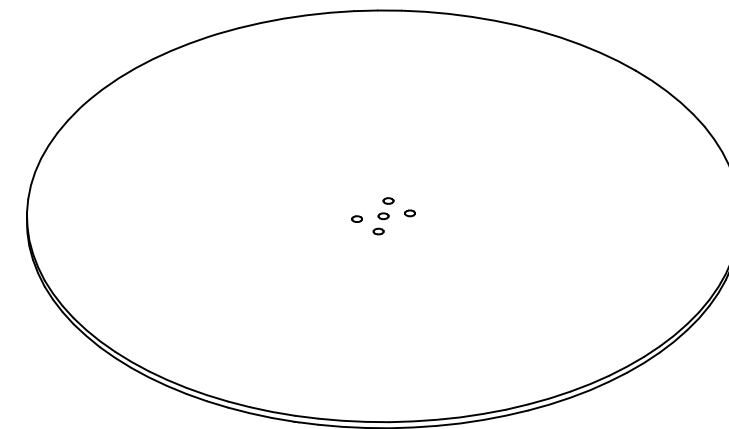
B COLUMN
QTY: ONE (1)



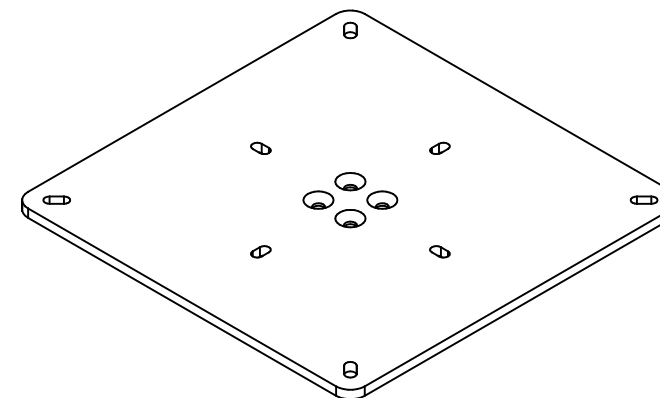
C BASE PLATE
QTY: ONE (1)



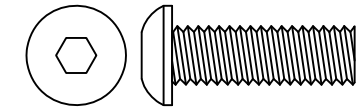
OR



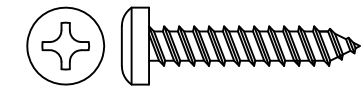
D TOP PLATE
QTY: ONE (1)



E M8 X 25MM BUTTON HEAD
SOCKET CAP SCREW
QTY: FOUR (4)



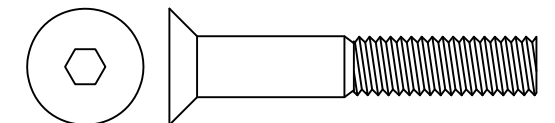
F #12 X 1 1/8" PAN HEAD SCREW
QTY: EIGHT (8)



G #8 X 3/4" PAN HEAD SCREW
QTY: SEVEN (7)



H M8 X 50MM FLAT HEAD SOCKET CAP SCREW
WITH LOCKING PATCH
QTY: FOUR (4)



I CABLE CLAMP 1/4"
QTY: THREE (3)



CONGREGATE | ALTEEZA - PNEUMATIC HEIGHT ADJUSTABLE TABLE

INSTALLATION INSTRUCTIONS

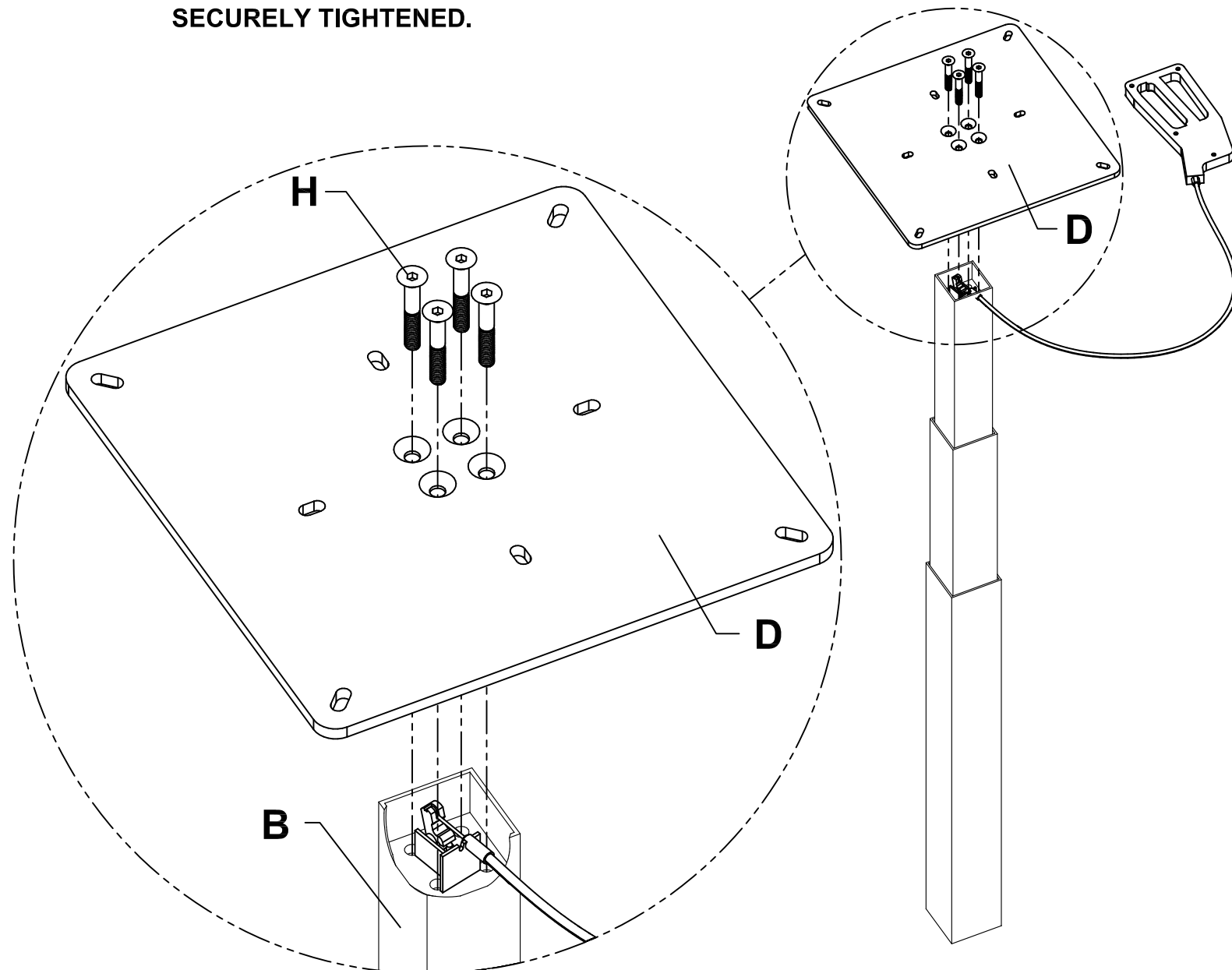
P/N 23887-01 SHEET 2 OF 4

WARNING

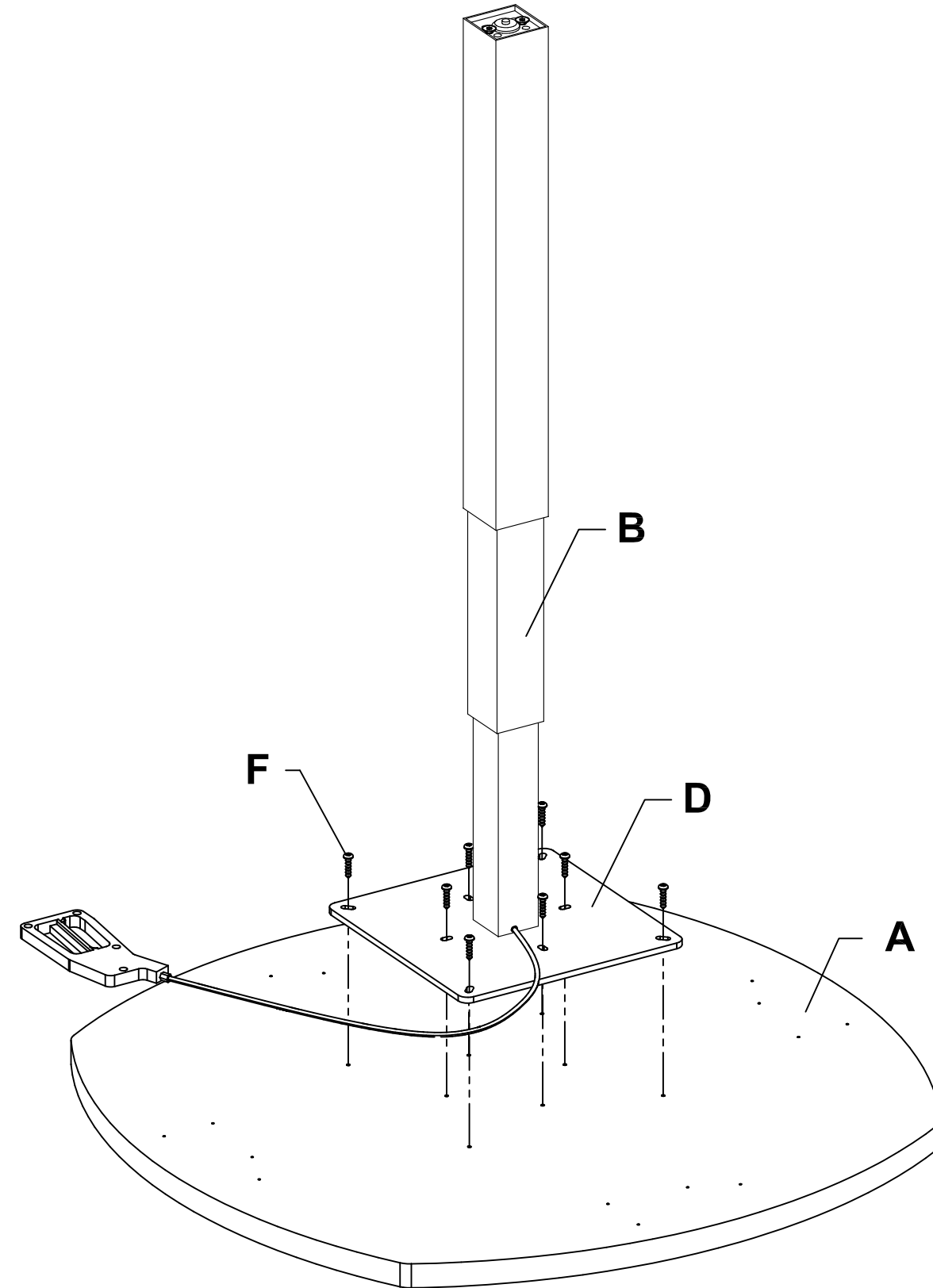
- Column contains a pressurized gas cylinder and is shipped fully extended.
- Do not compress (shorten) column until table is fully assembled and in upright position.
- To prevent sudden motion, maintain control of the work surface when initially adjusting work surface height.
- Failure to maintain column in a fully extended position during install may result in injury and constitutes improper installation of the table.

PROCEDURE:

- 1.** PLACE TOP PLATE ON TOP OF COLUMN WITH COUNTERSUNK HOLES FACING UPWARD AS SHOWN. ATTACH THE TOP PLATE TO THE COLUMN USING FOUR (4) M8 X 50MM FLAT HEAD SOCKET SCREWS. ENSURE THAT ALL SCREWS ARE SECURELY TIGHTENED.



- 2.** LAY WORK SURFACE UPSIDE DOWN ON A CLEAN SURFACE AND POSITION TOP PLATE AND COLUMN OVER PRE-DRILLED HOLES AS SHOWN. ATTACH TO WORK SURFACE USING EIGHT (8) #12 X 1 1/8" PAN HEAD SCREWS.



Contact Customer Service at 888-512-7036 with any questions.

JRBStudio

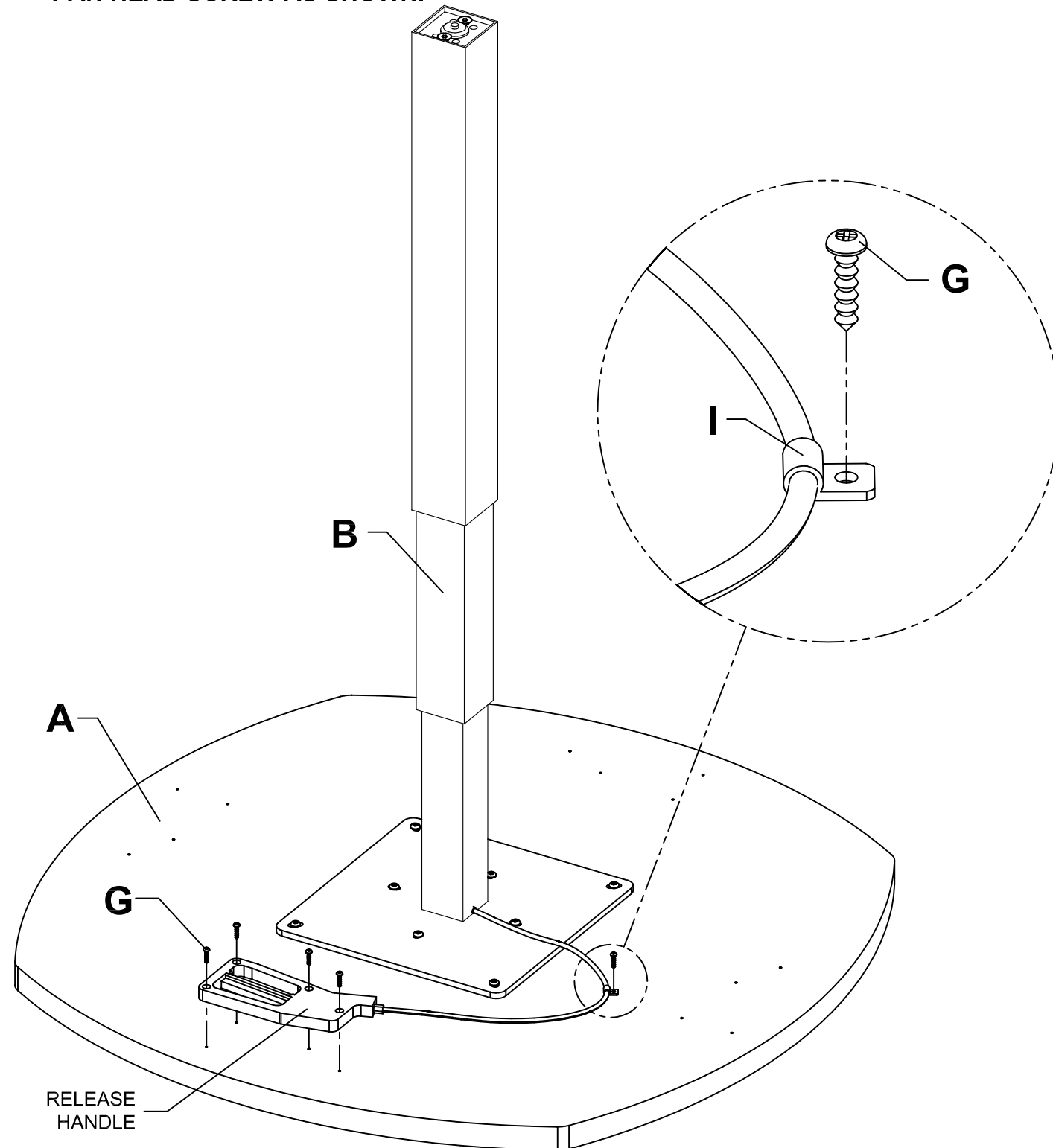
CONGREGATE | ALTEEZA - PNEUMATIC HEIGHT ADJUSTABLE TABLE

INSTALLATION INSTRUCTIONS

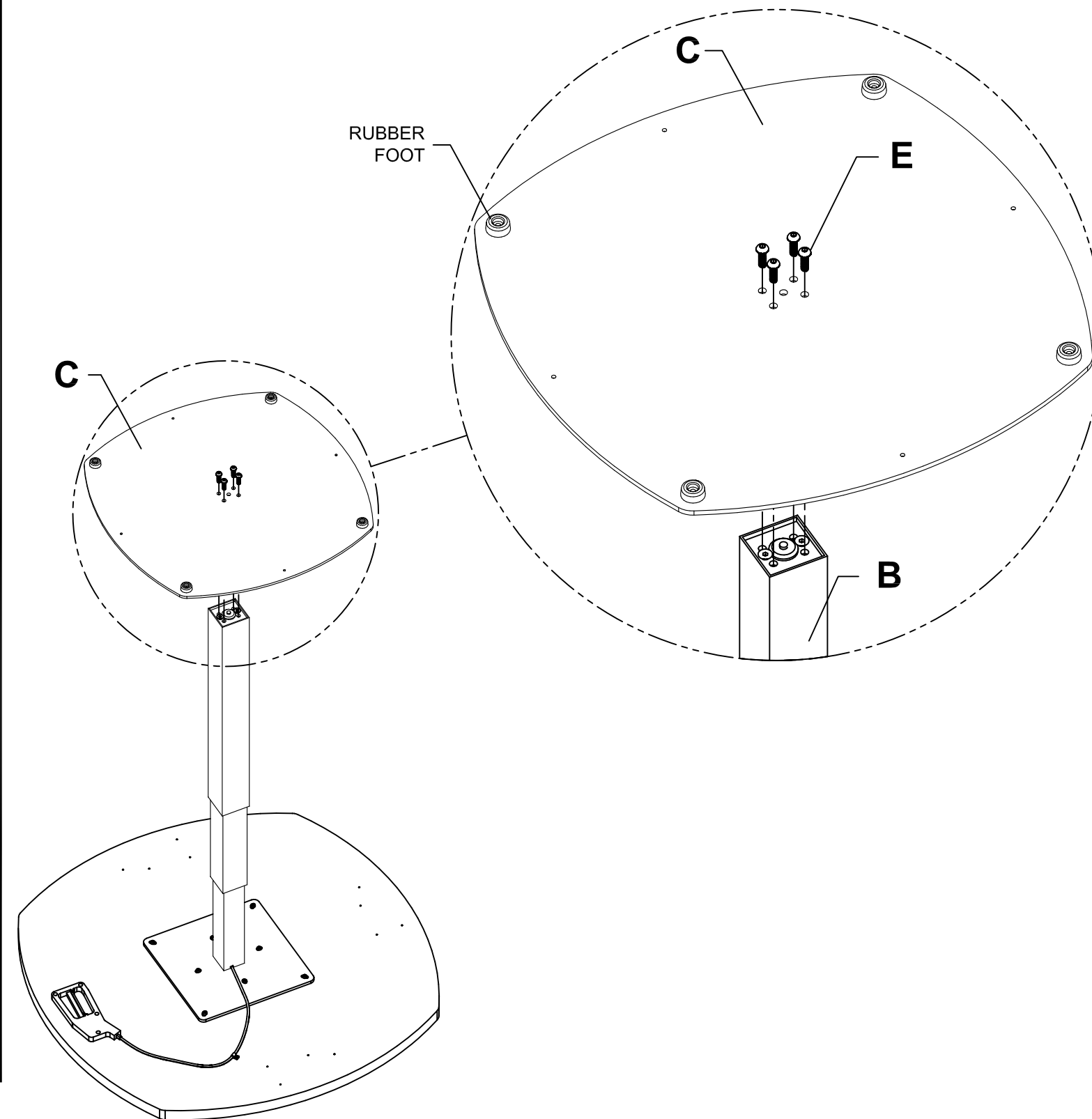
P/N 23887-01 SHEET 3 OF 4

PROCEDURE (CONTINUED):

- 3.** POSITION THE RELEASE HANDLE OVER THE PRE-DRILLED HOLES AS SHOWN. ATTACH TO THE WORK SURFACE USING FOUR (4) #8 X 3/4" PAN HEAD SCREWS. SECURE RELEASE CABLE USING ONE (1) CABLE CLAMP AND ONE (1) #8 X 3/4" PAN HEAD SCREW AS SHOWN.



- 4.** PLACE BASE PLATE ON COLUMN WITH RUBBER FEET FACING UPWARD AS SHOWN. ATTACH THE BASE PLATE TO THE COLUMN USING FOUR (4) M8 X 25MM BUTTON HEAD SCREWS.



CONGREGATE | ALTEEZA - PNEUMATIC HEIGHT ADJUSTABLE TABLE

INSTALLATION INSTRUCTIONS

P/N 23887-01 SHEET 4 OF 4

PROCEDURE (CONTINUED):

- 5.** TURN TABLE UPRIGHT. WHILE MAINTAINING CONTROL OF WORK SURFACE, SQUEEZE RELEASE HANDLE AND TEST MOTION OF TABLE. IF THERE IS SLACK IN THE RELEASE HANDLE OR TABLE DOESN'T MOVE PROPERLY, FORM A LOOP IN RELEASE HANDLE CABLE AND SECURE WITH CABLE CLAMPS AND #8 X 3/4" PAN HEAD SCREWS.

