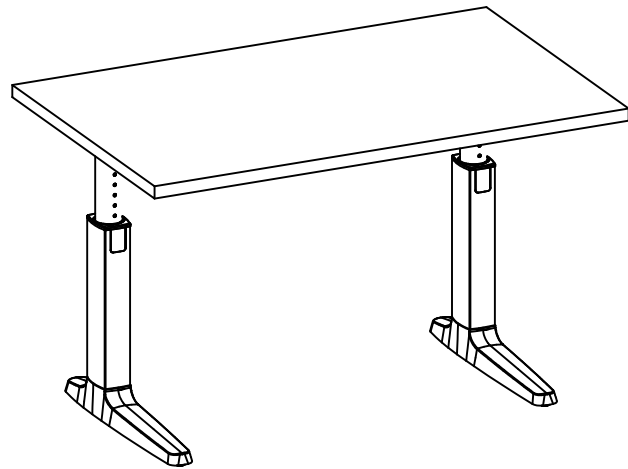


ANIMATE - PIN ADJUST TABLE - 2 LEG BASE

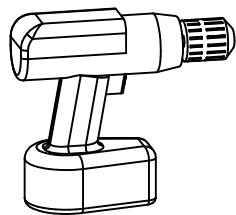
INSTALLATION INSTRUCTIONS

P/N 23121-01 SHEET 1 OF 4

PRODUCTS:



TOOLS REQUIRED:

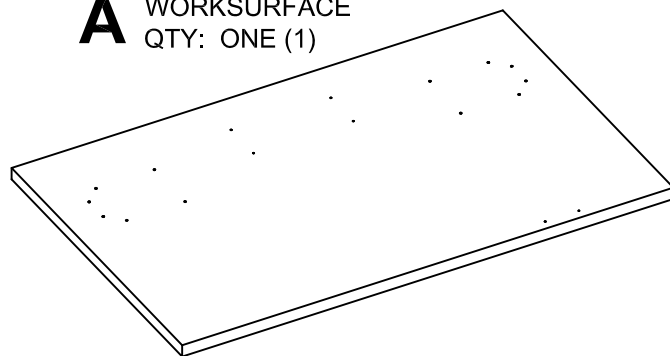


POWER SCREWDRIVER

#2 PHILLIPS DRIVER TIP
#3 PHILLIPS DRIVER TIP

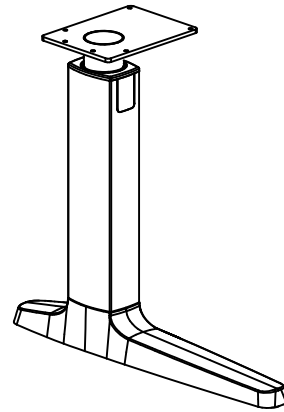
PARTS INCLUDED:

A WORKSURFACE
QTY: ONE (1)

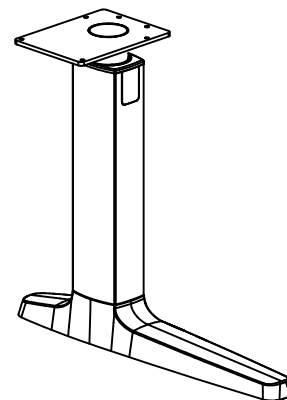


PARTS INCLUDED (CONTINUED):

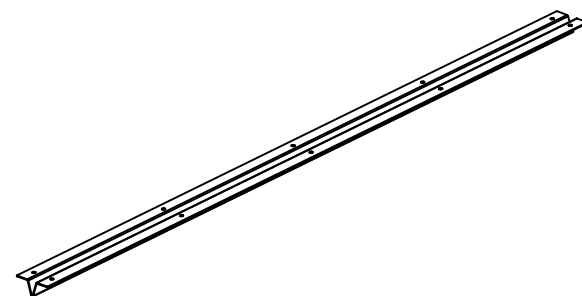
B LEFT HAND LEG ASSEMBLY
QTY: ONE (1)



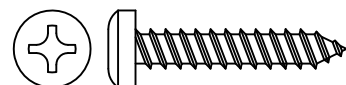
C RIGHT HAND LEG ASSEMBLY
QTY: ONE (1)



D STIFFENER
QTY: NONE OR ONE (1)

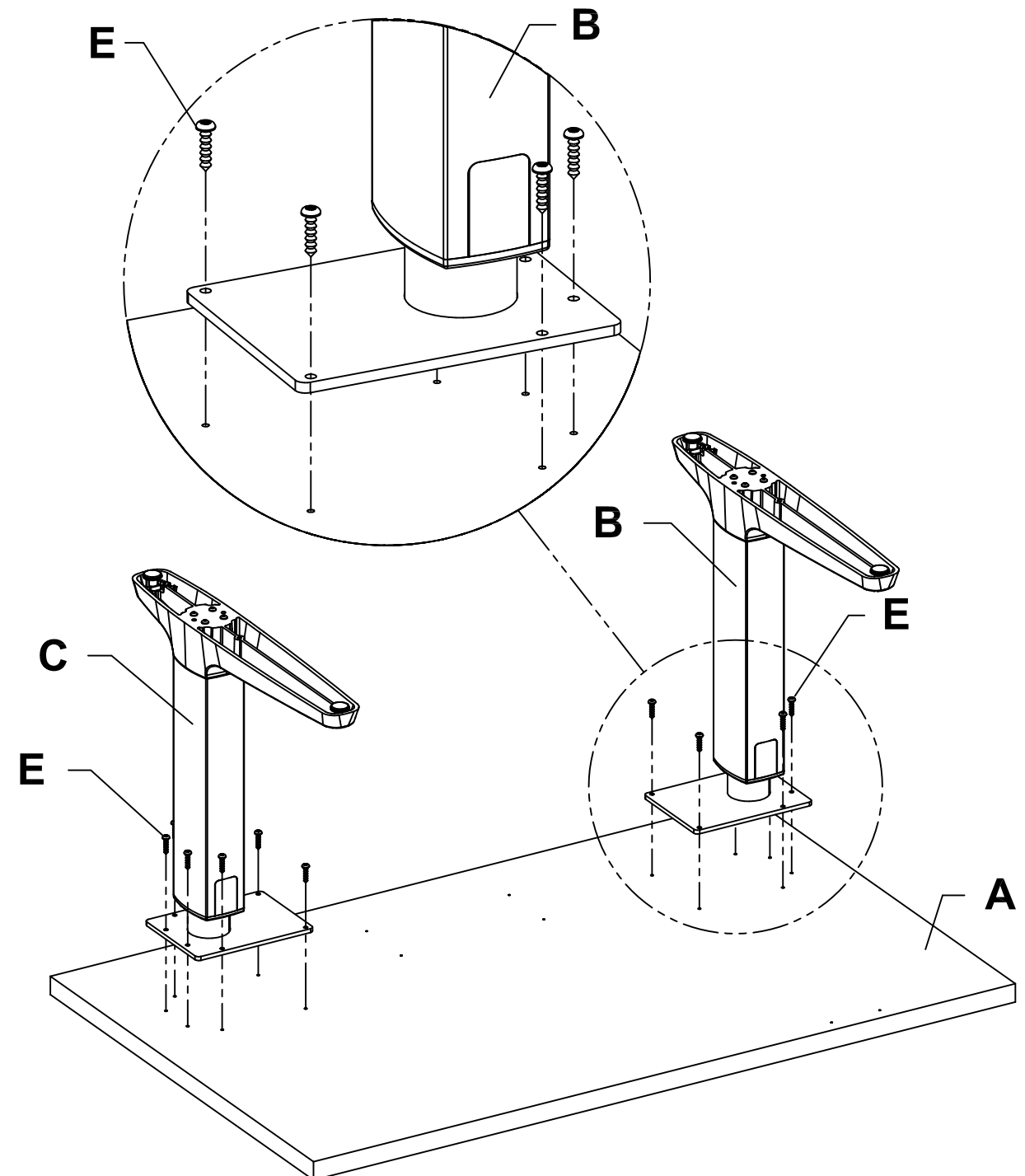


E #12 X 1 1/8" PAN HEAD SCREW
QTY: TWENTY-SIX (26)



PROCEDURE:

- 1.** LAY WORK SURFACE UPSIDE DOWN ON A CLEAN SURFACE AND POSITION LEG ASSEMBLIES OVER PRE-DRILLED HOLES AS SHOWN. ATTACH LEGS TO WORK SURFACE USING SIX (6) # 12 X 1 1/8" PAN HEAD SCREWS IN EACH TOP MOUNTING BRACKET.



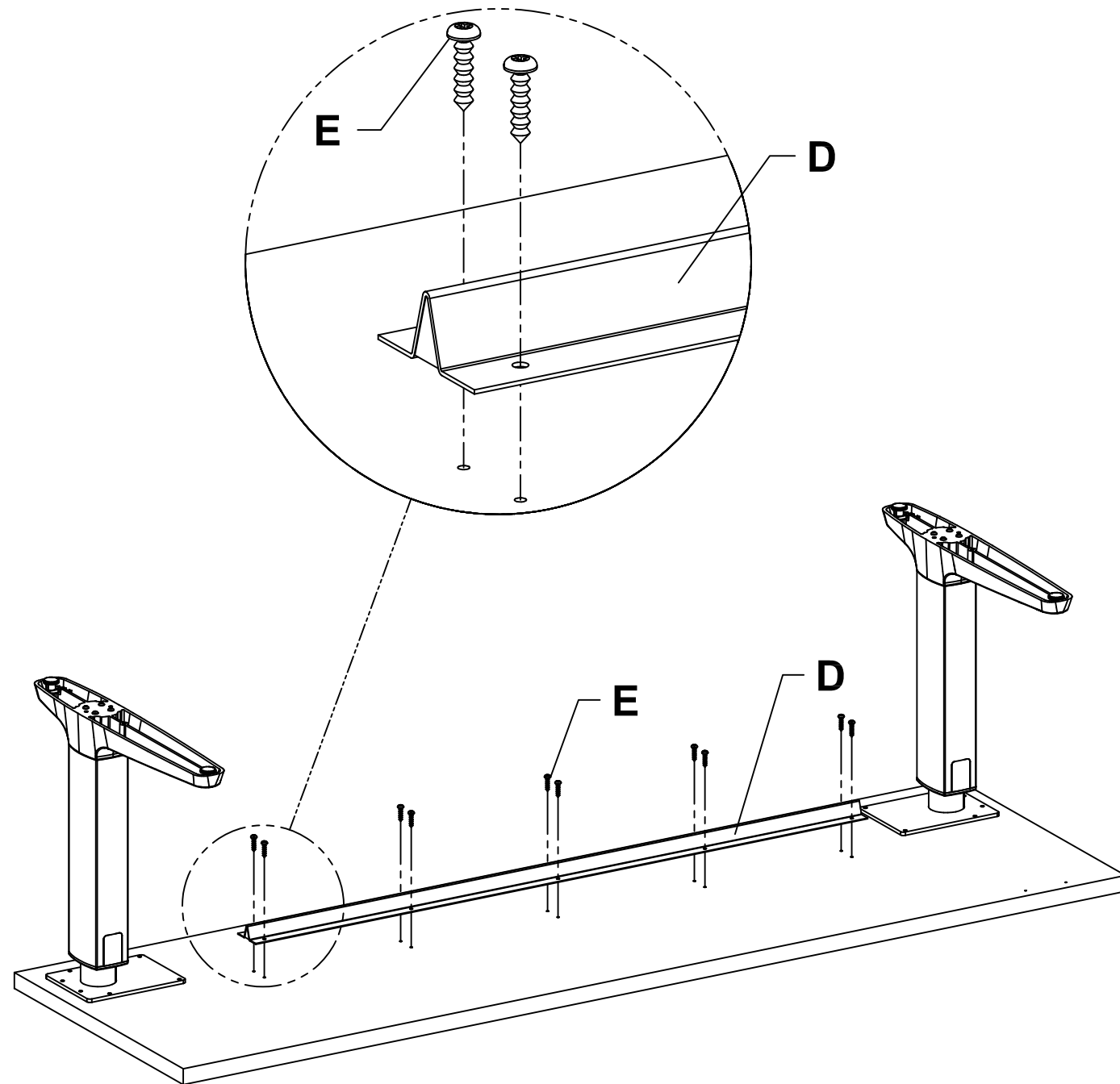
ANIMATE - PIN ADJUST TABLE - 2 LEG BASE

INSTALLATION INSTRUCTIONS

P/N 23121-01 SHEET 2 OF 4

PROCEDURE (CONTINUED):

- 2.** IF A TOP STIFFENER IS INCLUDED WITH THE TABLE, POSITION THE STIFFENER OVER THE PRE-DRILLED HOLES IN THE WORK SURFACE. ATTACH THE STIFFENER TO WORK SURFACE USING #12 X 1 1/8" PAN HEAD SCREWS.

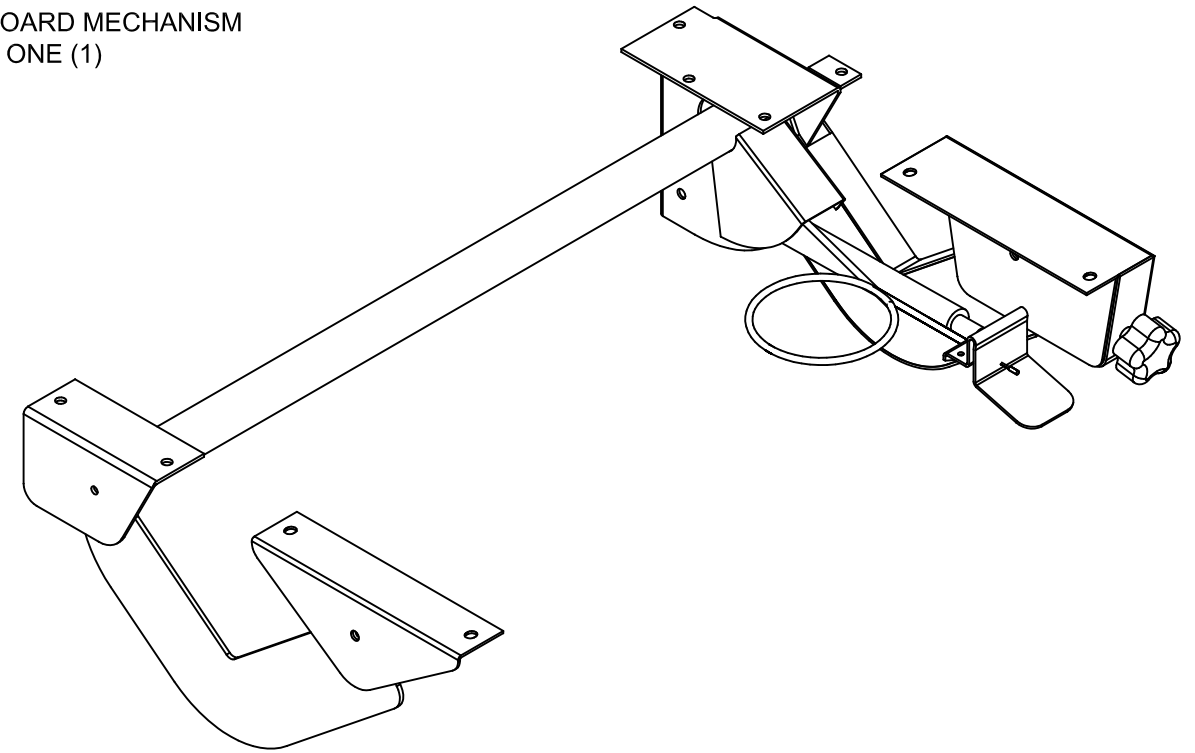


NOTICE

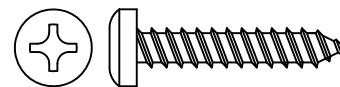
The following instructions are for installing a Keyboard Mechanism on a Dual Surface table. If installing a Single Surface table, proceed to Step 5 of these instructions.

PARTS INCLUDED FOR DUAL SURFACE TABLE (PACKED WITH KEYBOARD MECHANISM):

F KEYBOARD MECHANISM
QTY: ONE (1)



G #12 X 1 1/8" PAN HEAD SCREW
QTY: TEN (10)



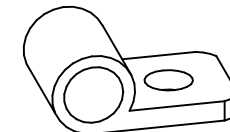
H #8 X 3/4" PAN HEAD SCREW
QTY: FOUR (4)



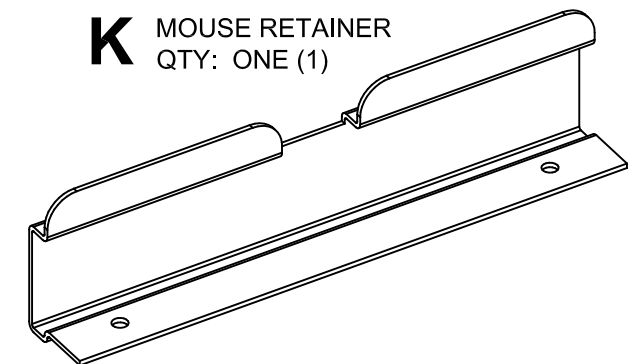
I #8 X 1/2" PAN HEAD SCREW
QTY: TWO (2)



J CABLE CLAMP 1/4"
QTY: TWO (2)



K MOUSE RETAINER
QTY: ONE (1)



ANIMATE - PIN ADJUST TABLE - 2 LEG BASE

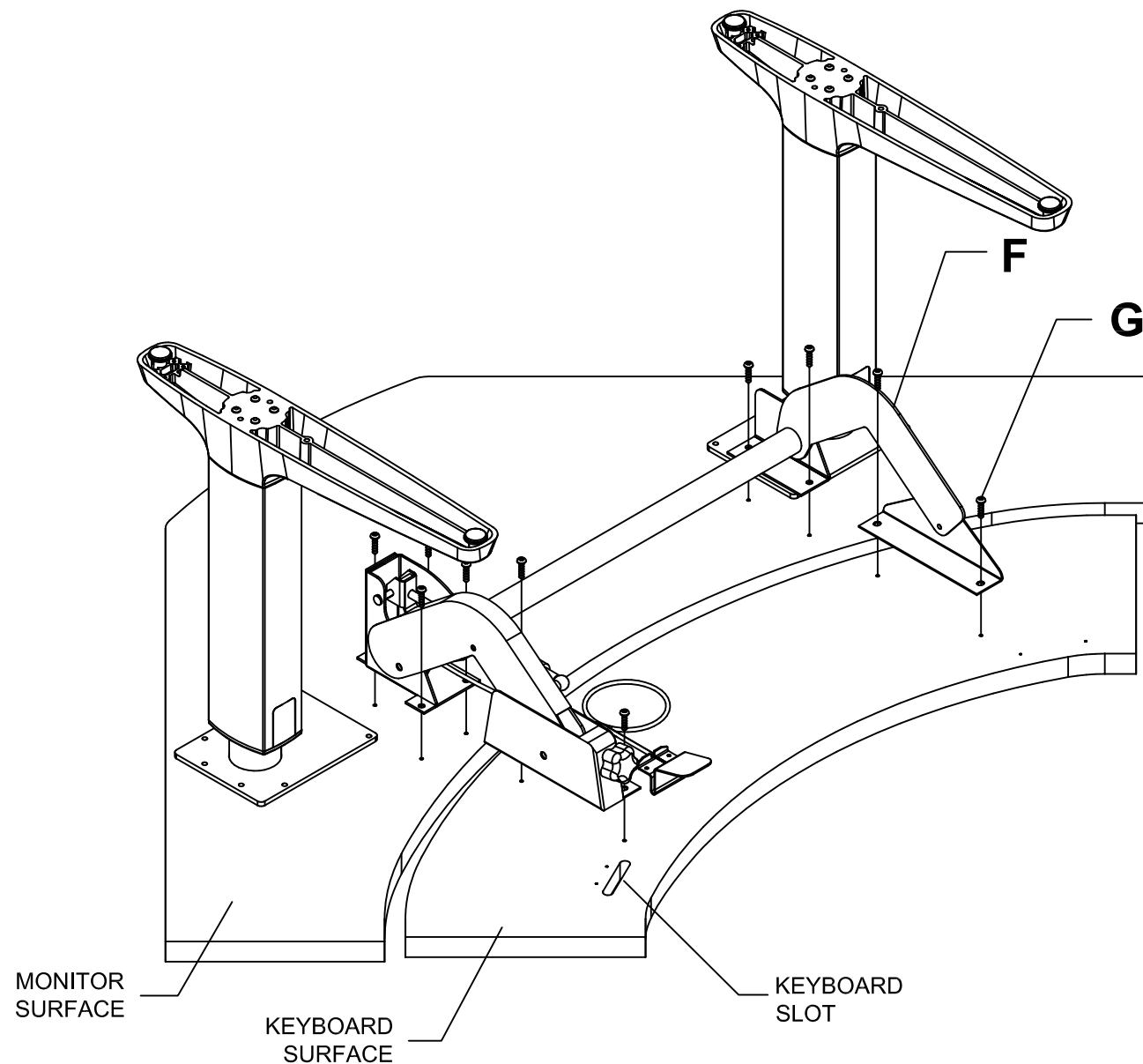
INSTALLATION INSTRUCTIONS

P/N 23121-01 SHEET 3 OF 4

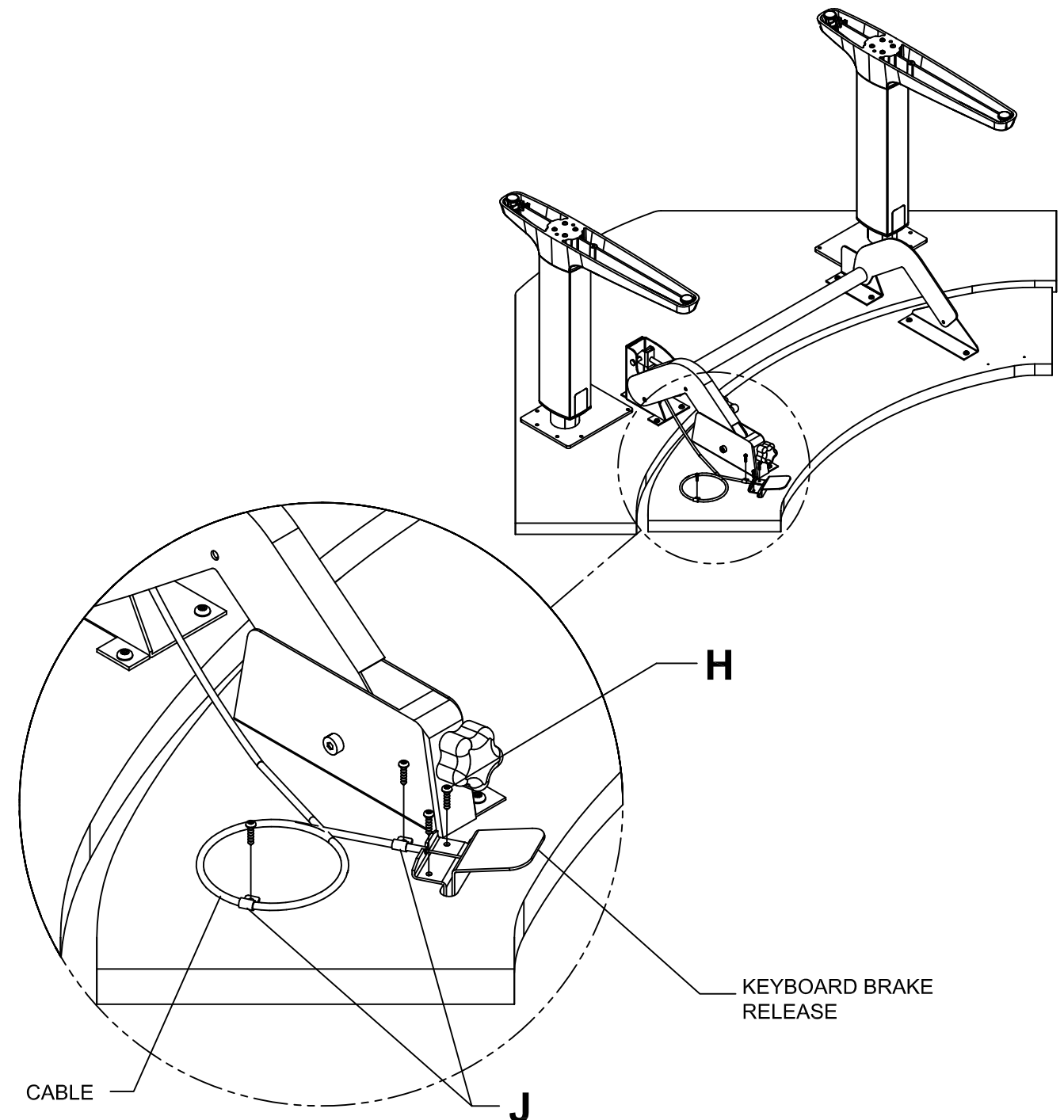
PROCEDURE (CONTINUED):

DUAL SURFACE TABLE KEYBOARD MECHANISM INSTALLATION:

- 3.** LAY KEYBOARD SURFACE UPSIDE DOWN IN FRONT OF MONITOR SURFACE WITH SLOT TOWARD FRONT OF TABLE. POSITION KEYBOARD MECHANISM OVER PRE-DRILLED HOLES. ATTACH KEYBOARD ARM TO MONITOR SURFACE USING TWO (2) #12 X 1 1/8" PAN HEAD SCREWS ON ONE SIDE AND FOUR (4) ON THE OTHER SIDE (AS SHOWN). ATTACH KEYBOARD ARM TO KEYBOARD SURFACE USING TWO (2) #12 X 1 1/8" PAN HEAD SCREWS ON EACH SIDE.



- 4.** INSERT KEYBOARD BRAKE RELEASE IN SLOT (AS SHOWN). ATTACH WITH TWO (2) #8 X 3/4" PAN HEAD SCREWS. PLACE ONE (1) PLASTIC CABLE CLAMP ON CABLE APPROXIMATELY 1" BEHIND RELEASE HANDLE AND SECURE WITH ONE (1) #8 X 3/4" PAN HEAD SCREW. IF NECESSARY, FORM A LOOP WITH EXCESS CABLE AND SECURE WITH PLASTIC CABLE CLAMP AND ONE (1) #8 X 3/4" PAN HEAD SCREW.

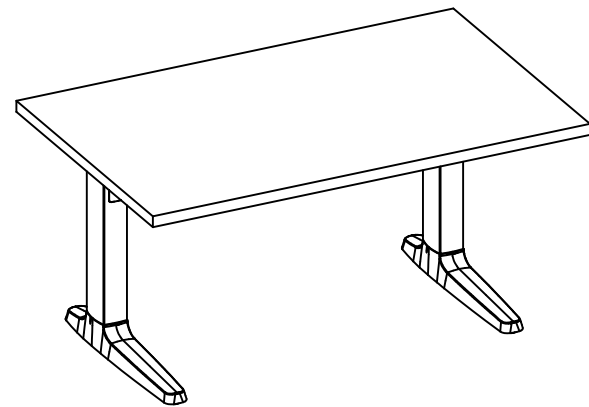


ANIMATE - PIN ADJUST TABLE - 2 LEG BASE

INSTALLATION INSTRUCTIONS

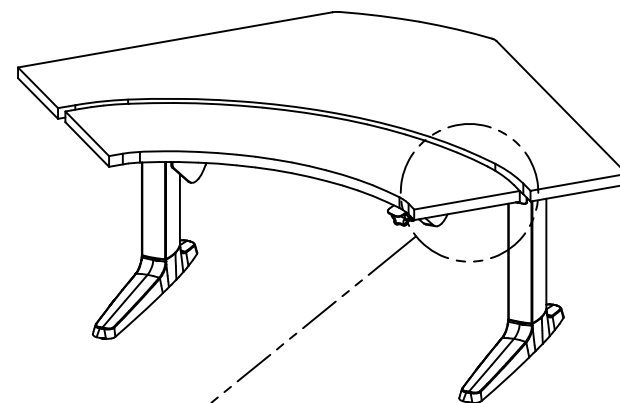
PROCEDURE (CONTINUED):

- 5.** STAND THE TABLE UPRIGHT AND MOVE INTO POSITION MAINTAINING PROPER CLEARANCE WITH ADJACENT SURFACES. ADJUST THE GLIDES TO LEVEL THE WORKSURFACE.

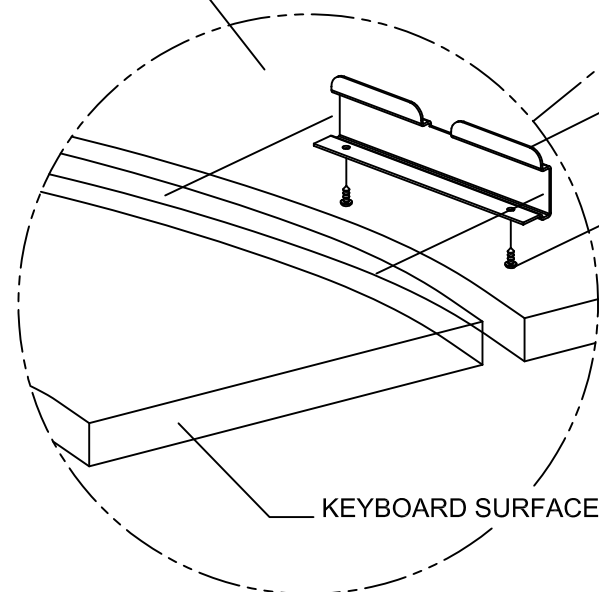


NOTICE

If dual surface, adjust the keyboard up and down to ensure that the cable does not bind or restrict travel.



MONITOR SURFACE



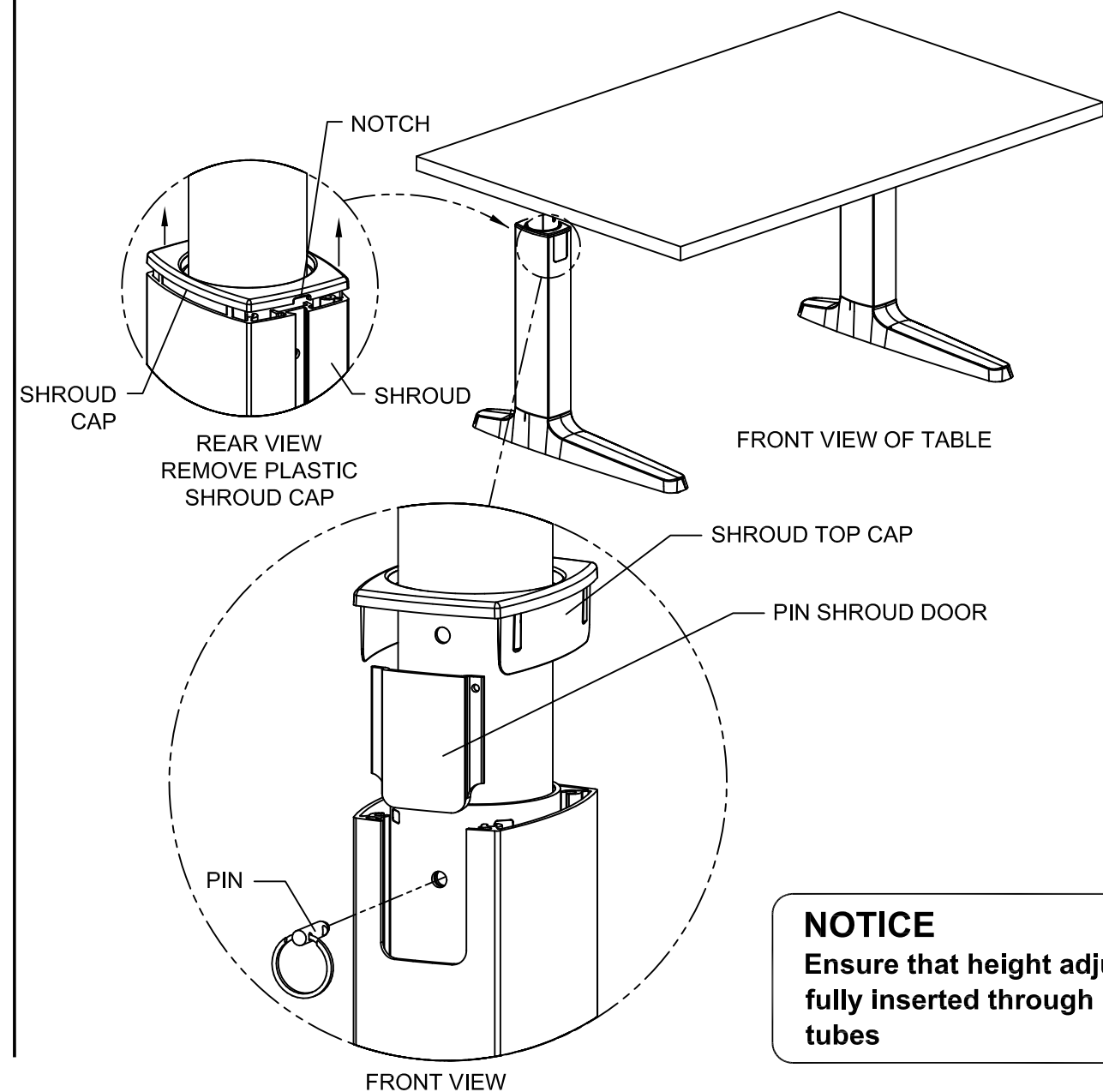
KEYBOARD SURFACE

NOTICE

Mouse retainer is optional and is normally installed on the back of the keyboard surface. The mouse retainer is a press fit or can be attached using two (2) #8 x 1/2" pan head screws.

- 6.** ADJUST THE HEIGHT OF THE WORK SURFACE AS REQUIRED. MORE THAN ONE INSTALLER MAY BE REQUIRED TO ADJUST HEIGHT. TO ADJUST HEIGHT:

- REMOVE SHROUD TOP CAP. PLASTIC TOP CAPS ARE FRICTION FIT AND CAN BE PULLED OUT OF THE TOP OF THE SHROUD. THERE IS A NOTCH AT THE REAR OF THE PLASTIC CAP TO ASSIST WITH REMOVAL.
- SLIDE THE PIN SHROUD DOOR UP TO GAIN ACCESS TO PIN.
- PULL THE PIN OUT OF THE TUBES
- SLIDE LEG TUBES TO DESIRED HEIGHT AND ALIGN HOLES IN BOTH TUBES.
- INSERT THE PIN INTO THE HOLES. ENSURE THAT PIN IS FULLY INSERTED THROUGH HOLES IN BOTH TUBES.
- REPLACE PIN SHROUD DOOR AND SHROUD TOP CAP.



NOTICE

Ensure that height adjustment pin is fully inserted through holes in both tubes