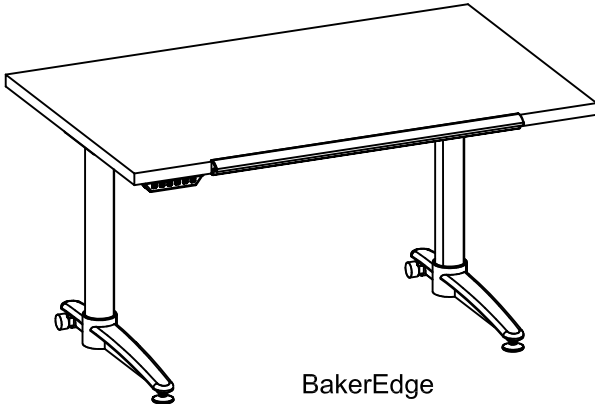


# BakerEdge

## USER INSTRUCTIONS

P/N 22816-01 SHEET 1 OF 2

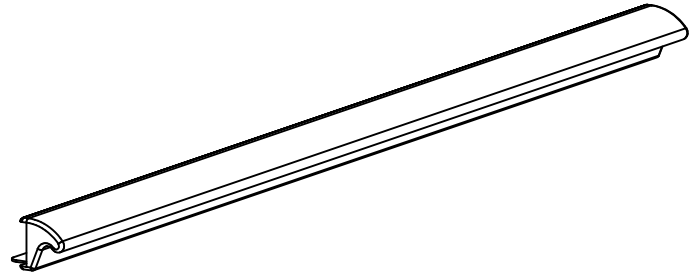
### PRODUCTS:



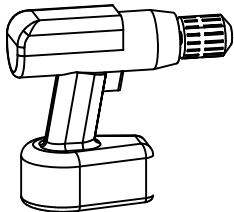
BakerEdge  
(SHOWN INSTALLED)

### PARTS INCLUDED:

**A** BakerEdge  
QTY: ONE (1)



### TOOLS REQUIRED:



POWER SCREWDRIVER  
#2 PHILLIPS DRIVER TIP

**B** #6 X 1/2" PAN HEAD SCREW  
QTY: FIVE (5)

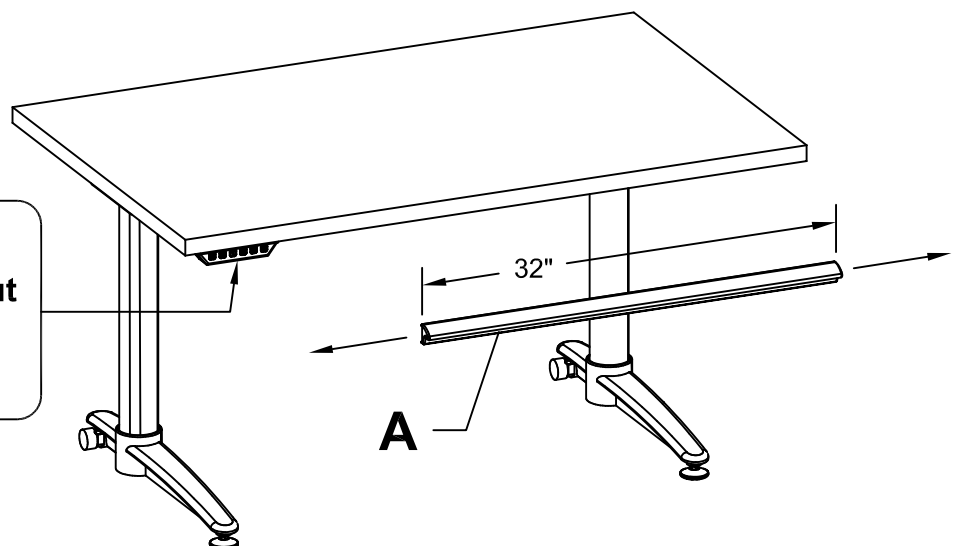


### PROCEDURE:

- 1.** DETERMINE THE MOUNTING POSITION FOR THE BakerEdge. THE BakerEdge IS NORMALLY CENTERED ACROSS THE FRONT EDGE OF THE WORK SURFACE AND REQUIRES 32" OF STRAIGHT UNOBSTRUCTED EDGE TO MOUNT. MOVE ANY OBSTRUCTIONS OUT OF THE BakerEdge MOUNTING POSITION.

#### NOTICE

Move any obstructions out of the BakerEdge mounting position.



Contact Customer Service at  
888-512-7036 with any questions.

**JRB**Studio

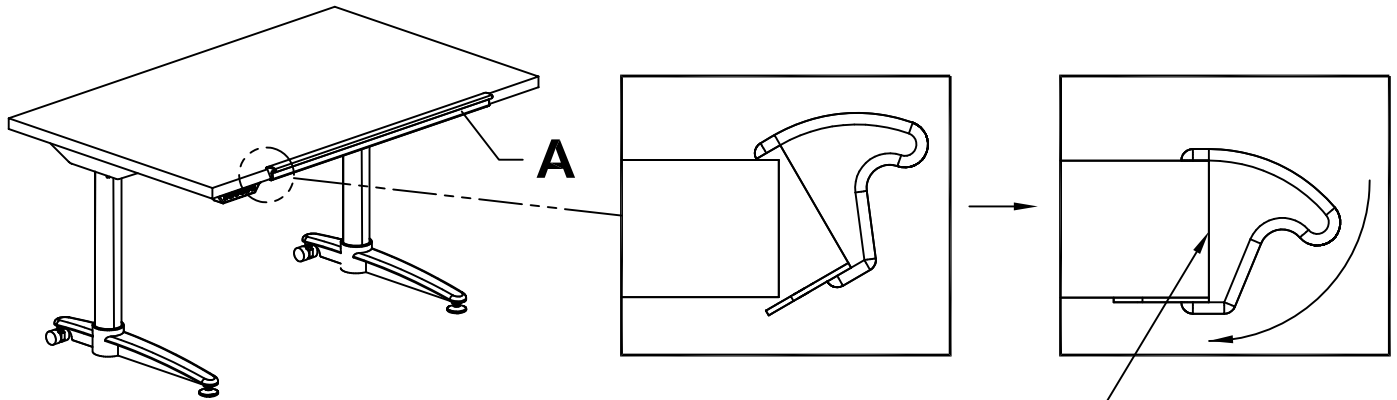
# BakerEdge

## USER INSTRUCTIONS

P/N 22816-01 SHEET 2 OF 2

### PROCEDURE (CONTINUED):

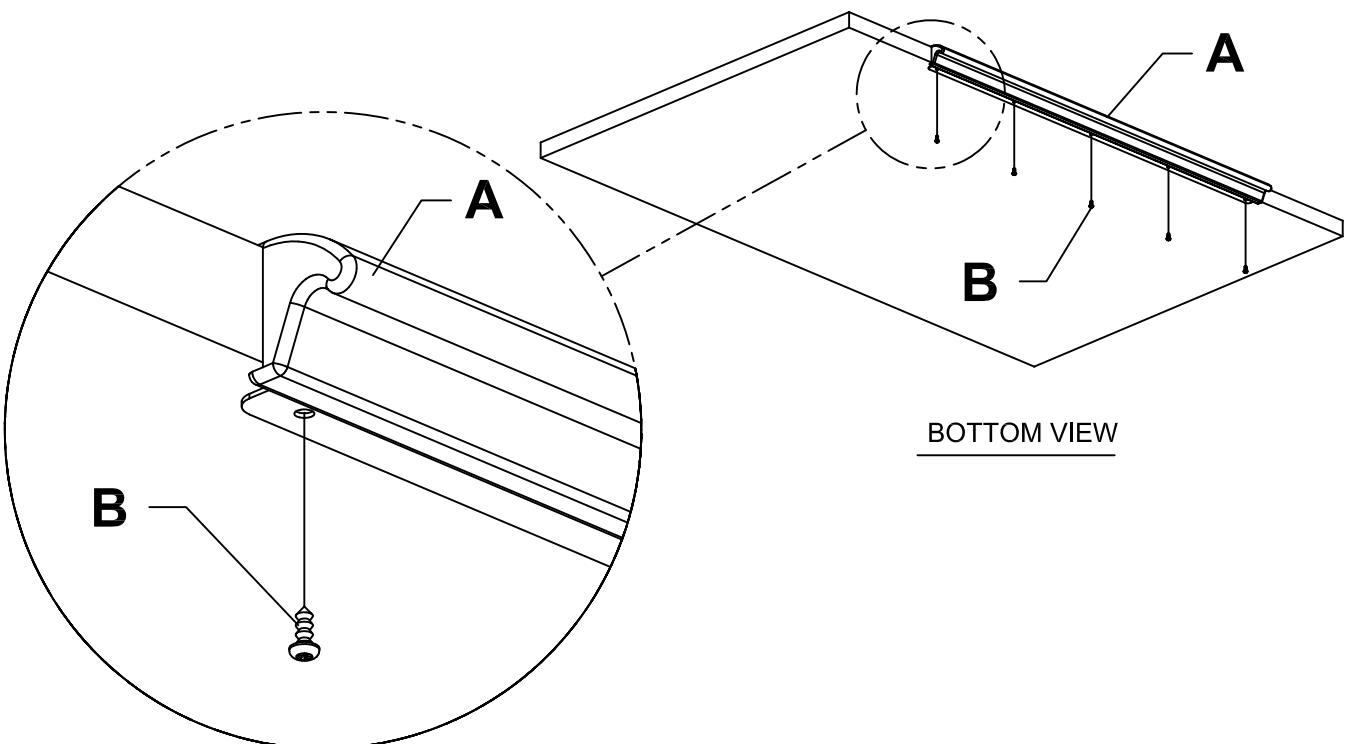
- 2.** POSITION THE BakerEdge WITH THE TOP LIP OVER THE EDGE OF THE WORK SURFACE AS SHOWN. ROTATE THE BOTTOM OF THE BakerEdge UNDER THE WORK SURFACE AND PRESS FIRMLY INTO POSITION.



### NOTICE

Ensure that the BakerEdge is fully seated against the front of work surface.

- 3.** FASTEN THE BakerEdge TO THE UNDERSIDE OF THE WORK SURFACE USING FIVE (5) #6 X 1/2" PAN HEAD SCREWS IN THE MOUNTING FLANGE AS SHOWN.



Contact Customer Service at  
888-512-7036 with any questions.

**JRB**Studio