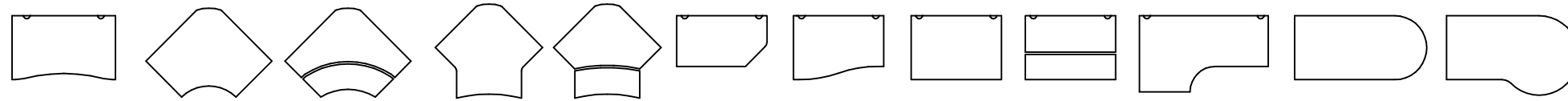


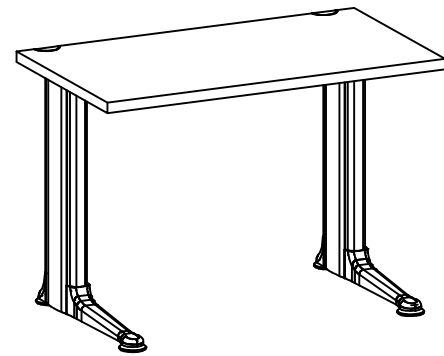
# M COLLECTION - FIXED TABLE

## INSTALLATION INSTRUCTIONS

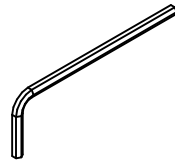
**WORK SURFACE SHAPES:**



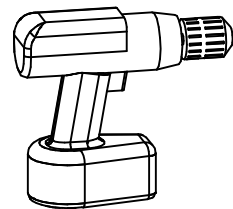
**PRODUCTS:**



**TOOLS REQUIRED:**



3/16" ALLEN WRENCH



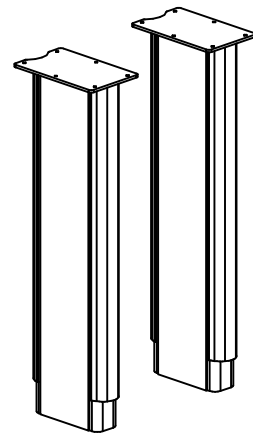
POWER SCREWDRIVER

#2 PHILLIPS DRIVER TIP  
#3 PHILLIPS DRIVER TIP

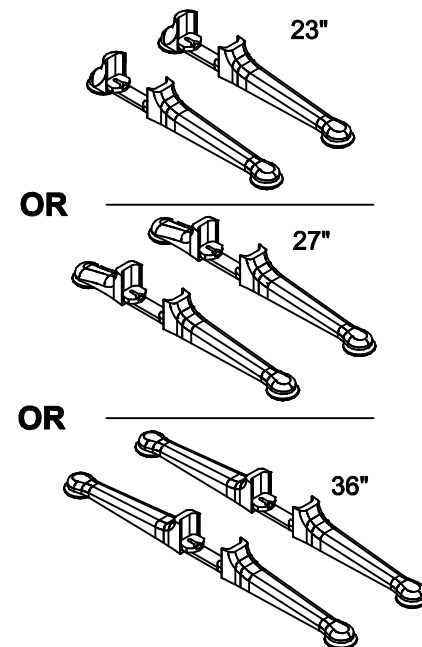
**PARTS INCLUDED:**

**A** WORKSURFACE  
(SEE SHAPES ABOVE)

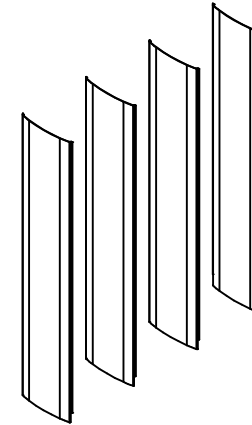
**B** FIXED COLUMN ASSEMBLIES  
QTY: TWO (2)



**C** FOOT ASSEMBLIES  
QTY: TWO (2)

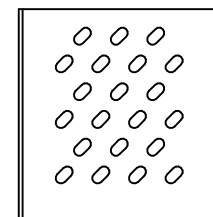


**D** COLUMN COVER INSERTS  
QTY: FOUR (4)

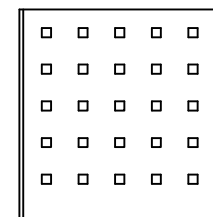


SOLID STEEL SHOWN

MAY BE PERFORATED  
QTY: TWO (2) SOLID STEEL  
TWO PERFORATED STEEL

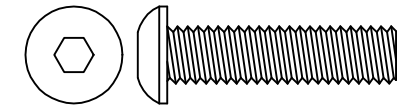


"RAIN" PERFORATION

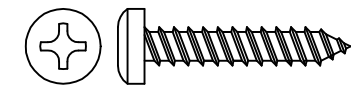


"CITY BLOCK" PERFORATION

**E** 5/16-18 X 1 1/4" BUTTON HEAD  
SOCKET CAP SCREW  
QTY: FOUR (4)



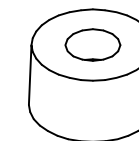
**F** #12 X 1 1/8" PAN HEAD SCREW  
QTY: TWELVE (12)



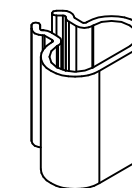
**G** #8 X 3/4" PAN HEAD SCREW  
QTY: TWO (2)



**H** RUBBER BUMPER  
QTY: TWO (2)



**I** CORD CLIP  
QTY: TWO (2)



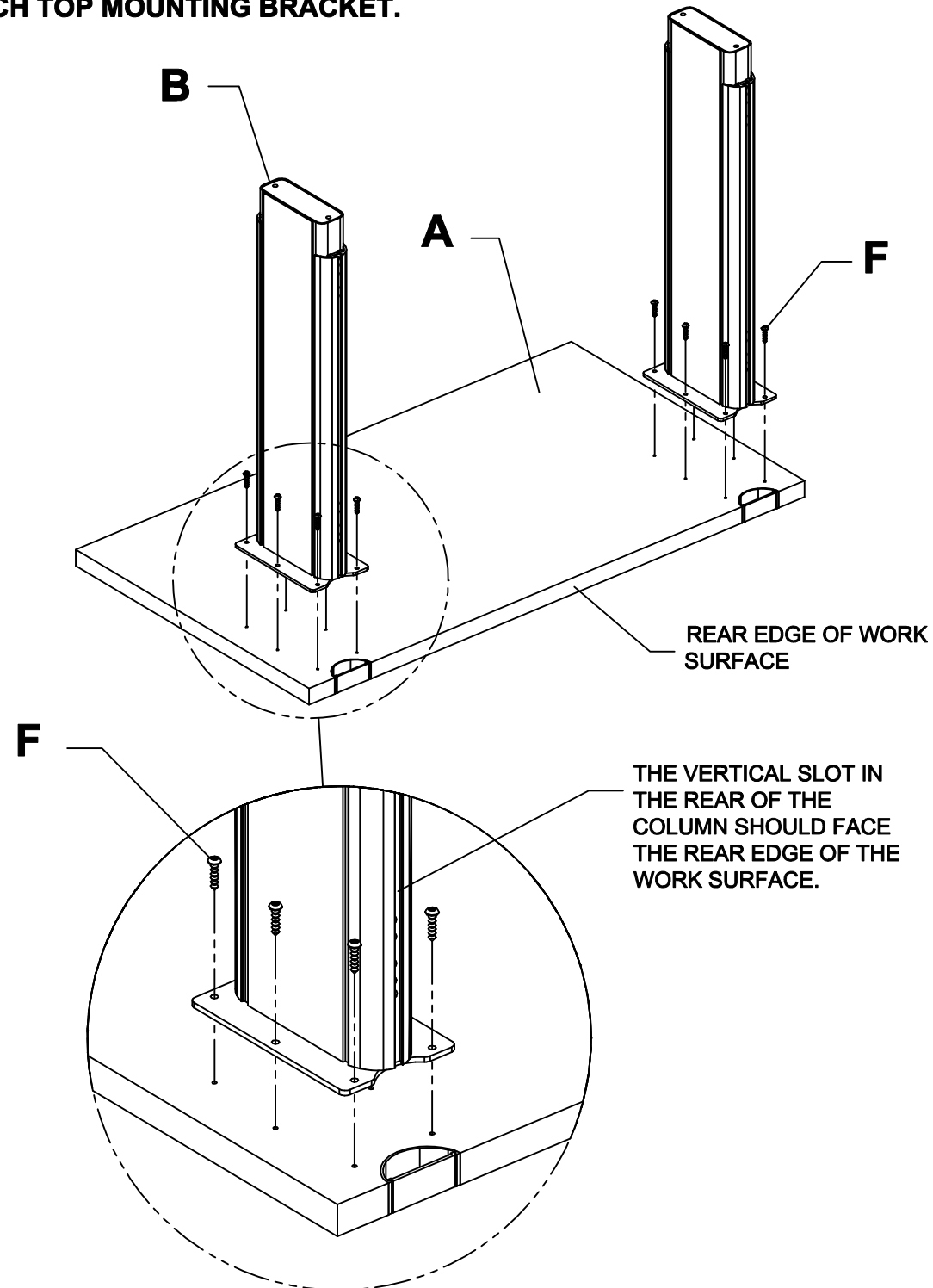
# M COLLECTION - FIXED TABLE

## INSTALLATION INSTRUCTIONS

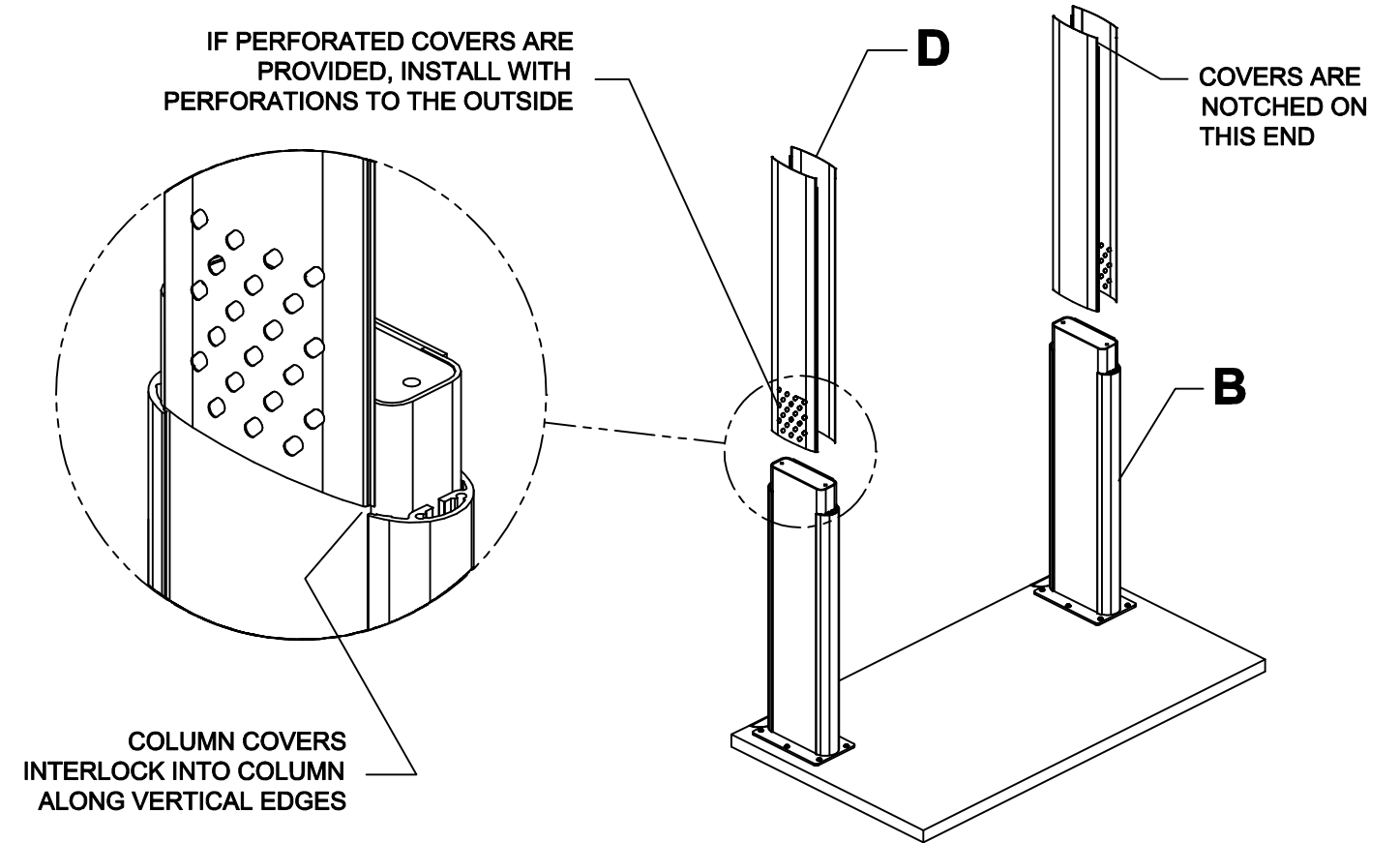
P/N 21136-01 SHEET 2 OF 4

### PROCEDURE:

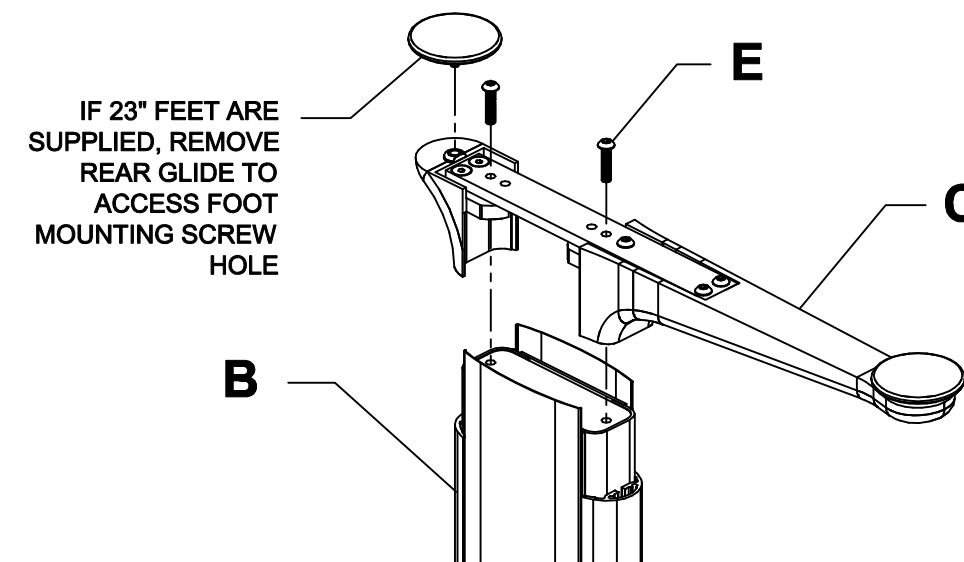
- 1. LAY WORK SURFACE UPSIDE DOWN ON A CLEAN SURFACE AND POSITION COLUMNS OVER PRE-DRILLED HOLES. THE VERTICAL SLOT IN THE REAR OF THE COLUMN SHOULD FACE THE REAR EDGE OF THE WORK SURFACE. ATTACH COLUMNS TO WORK SURFACE USING SIX (6) # 12 X 1 1/8" PAN HEAD SCREWS IN EACH TOP MOUNTING BRACKET.**



- 2. INSERT COLUMN COVERS INTO BOTH SIDES OF EACH COLUMN. INSTALL WITH NOTCHES AT ENDS OF COVERS AWAY FROM WORK SURFACE. IF PERFORATED COVERS ARE SUPPLIED, INSTALL WITH PERFORATIONS TO THE OUTSIDE.**



- 3. ATTACH THE FEET USING TWO (2) 5/16-18 X 1 1/4" BUTTON HEAD SOCKET CAP SCREWS PER COLUMN. USE OUTSIDE MOUNTING HOLES IN FEET.**



# M COLLECTION - FIXED TABLE

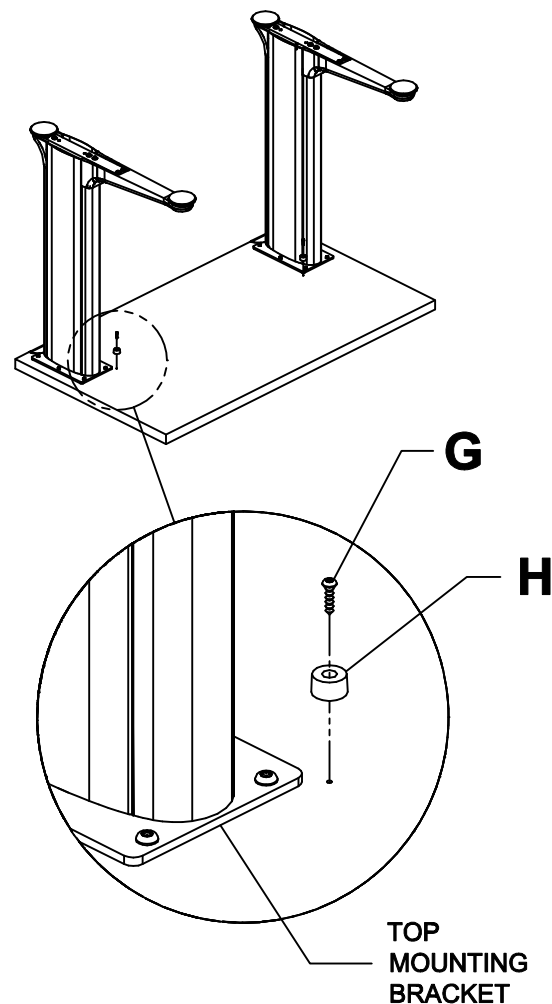
## INSTALLATION INSTRUCTIONS

### PROCEDURE (CONT'D):

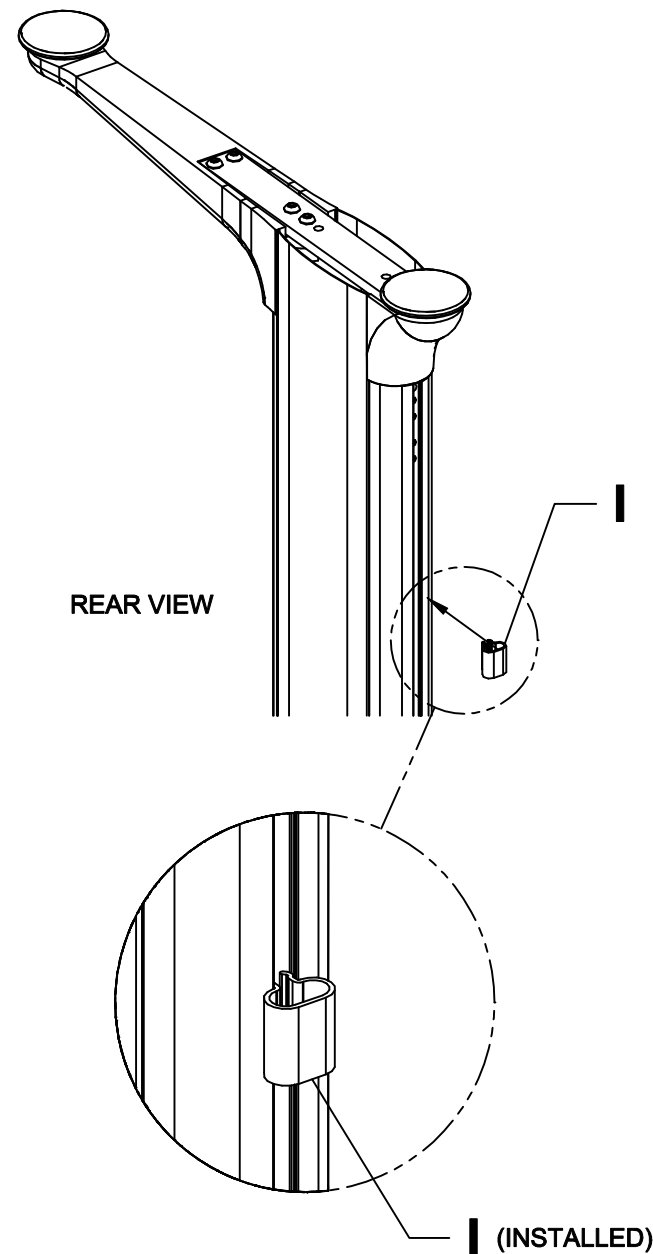
- 4.** POSITION RUBBER BUMPERS OVER PRE-DRILLED HOLES IN WORK SURFACE (NEAR INSIDE FRONT CORNER OF TOP MOUNTING BRACKET). ATTACH WITH ONE (1) #8 X 3/4" PAN HEAD SCREW IN EACH BUMPER.

#### NOTICE

Bumpers are not required on Corner (GLC) or Mitered Corner (GLL) work surfaces. Pre-drilled holes are not provided on these work surfaces.



- 5.** CORD CLIPS SNAP FIT INTO VERTICAL SLOT IN REAR OF COLUMNS.

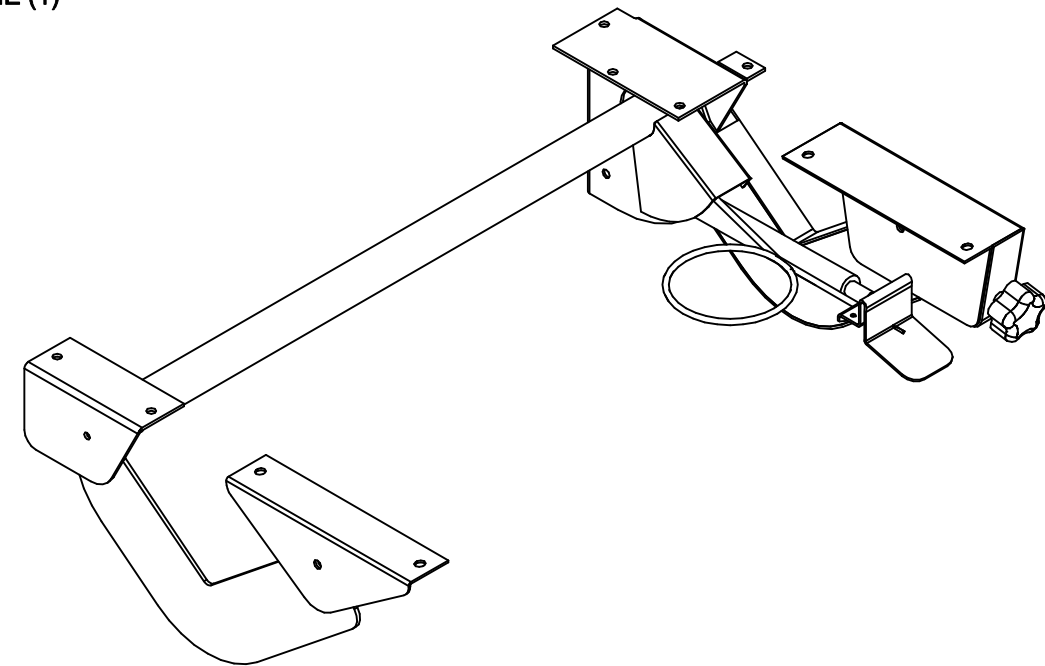


#### NOTICE

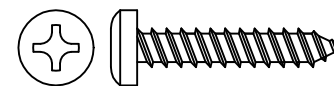
The following instructions are for installing a Keyboard Mechanism on a Dual Surface table. If installing a Single Surface table, proceed to Step 8 of these instructions.

#### PARTS INCLUDED FOR DUAL SURFACE TABLE (PACKED WITH KEYBOARD MECHANISM):

- J** KEYBOARD MECHANISM  
QTY: ONE (1)



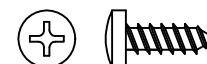
- K** #12 X 1 1/8" PAN HEAD SCREW  
QTY: TEN (10)



- L** #8 X 3/4" PAN HEAD SCREW  
QTY: FOUR (4)



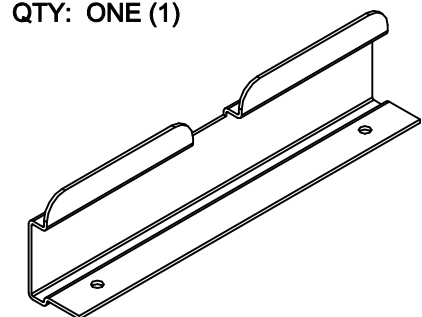
- M** #8 X 1/2" PAN HEAD SCREW  
QTY: TWO (2)



- N** CABLE CLAMP 1/4"  
QTY: TWO (2)



- O** MOUSE RETAINER  
QTY: ONE (1)



# M COLLECTION - FIXED TABLE

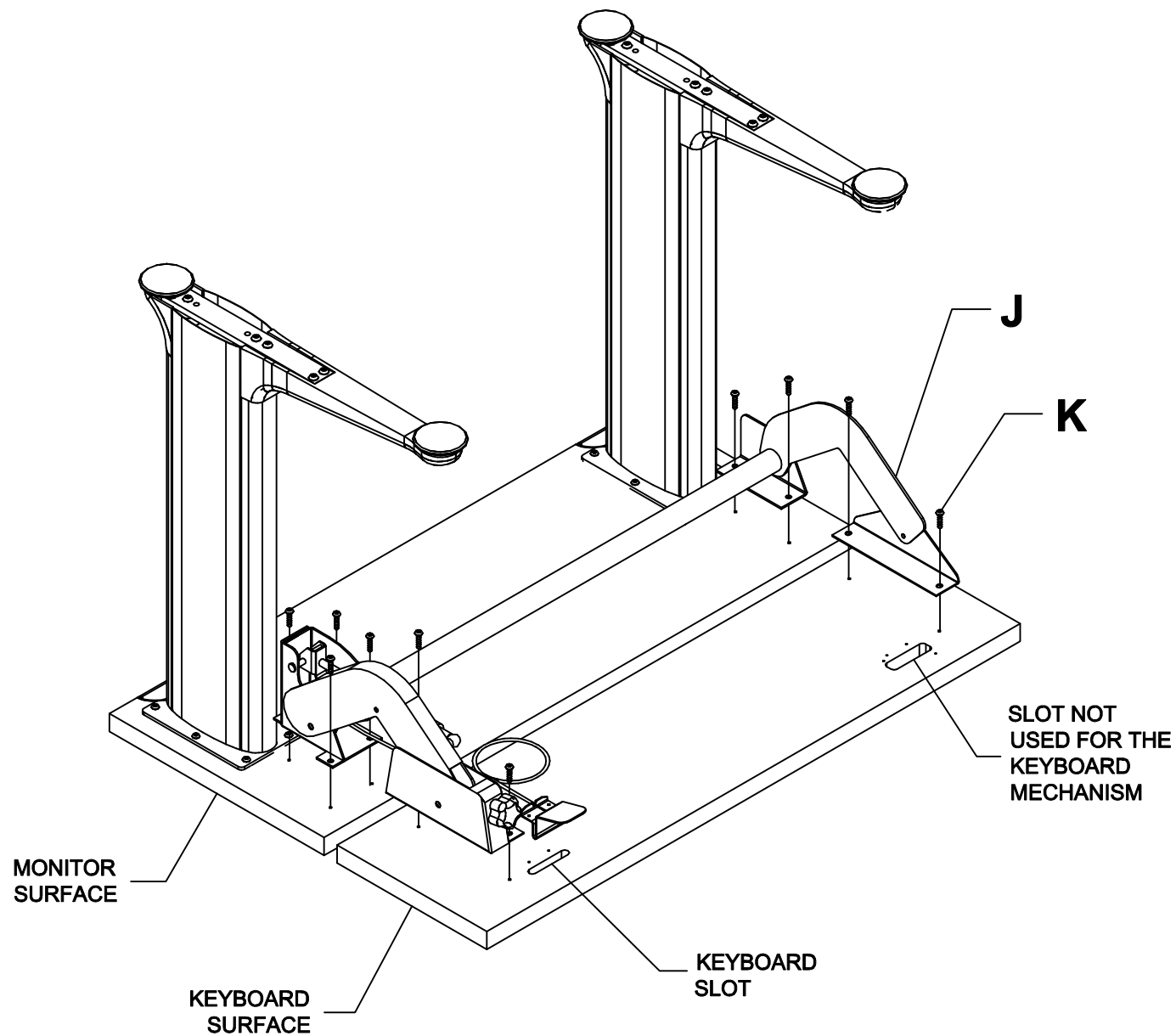
## INSTALLATION INSTRUCTIONS

P/N 21136-01 SHEET 4 OF 4

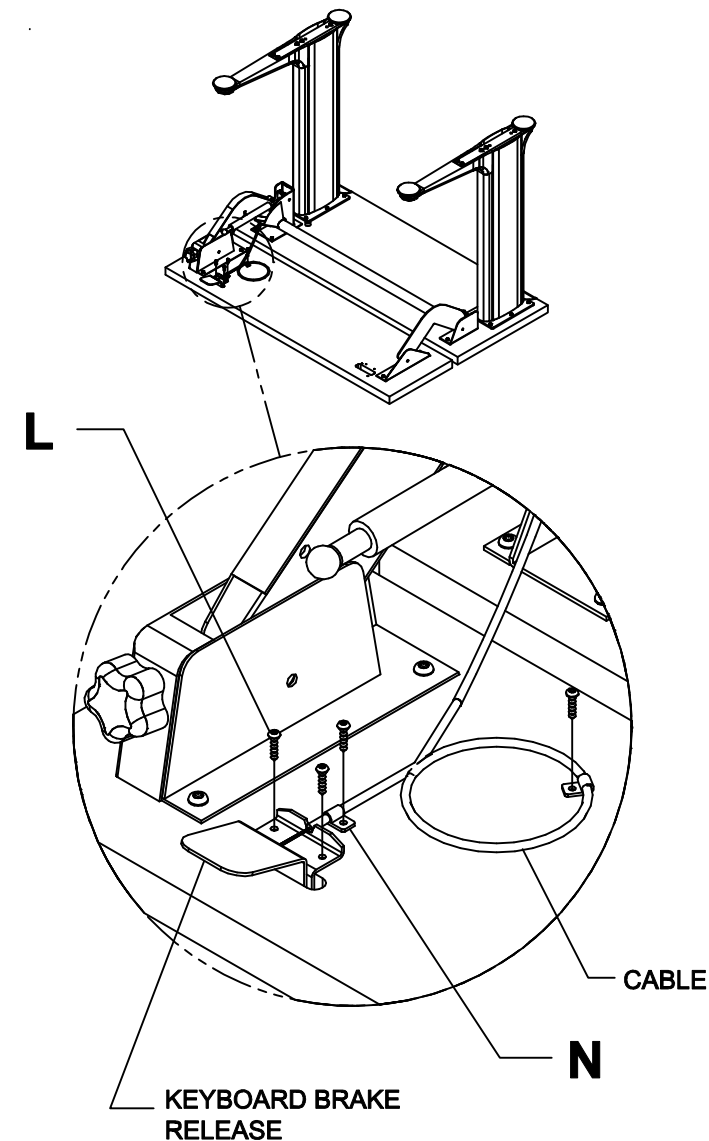
### PROCEDURE (CONT'D):

#### DUAL SURFACE TABLE KEYBOARD MECHANISM INSTALLATION:

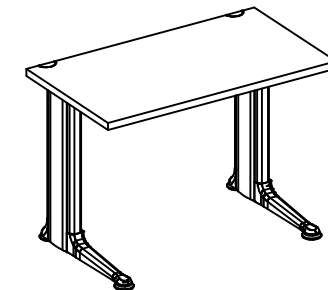
- 6.** LAY KEYBOARD SURFACE UPSIDE DOWN IN FRONT OF MONITOR SURFACE WITH SLOTS TOWARD FRONT OF TABLE. POSITION KEYBOARD MECHANISM OVER PRE-DRILLED HOLES. ATTACH KEYBOARD ARM TO MONITOR SURFACE USING TWO (2) #12 X 1 1/8" PAN HEAD SCREWS ON ONE SIDE AND FOUR (4) ON THE OTHER SIDE (AS SHOWN). ATTACH KEYBOARD ARM TO KEYBOARD SURFACE USING TWO (2) #12 X 1 1/8" PAN HEAD SCREWS ON EACH SIDE.



- 7.** INSERT KEYBOARD BRAKE RELEASE IN SLOT (AS SHOWN). ATTACH WITH TWO (2) #8 X 3/4" PAN HEAD SCREWS. PLACE ONE (1) PLASTIC CABLE CLAMP ON CABLE APPROXIMATELY 1" BEHIND RELEASE HANDLE AND SECURE WITH ONE (1) #8 X 3/4" PAN HEAD SCREW. IF NECESSARY, FORM A LOOP WITH EXCESS CABLE AND SECURE WITH PLASTIC CABLE CLAMP AND ONE (1) #8 X 3/4" PAN HEAD SCREW.

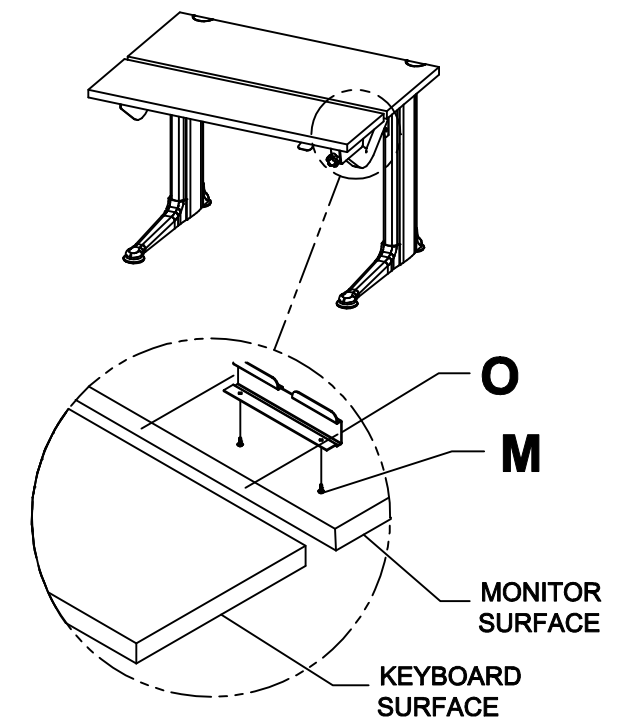


- 8.** STAND THE TABLE UPRIGHT AND MOVE INTO POSITION MAINTAINING PROPER CLEARANCE WITH ADJACENT SURFACES. ADJUST THE GLIDES TO LEVEL THE SURFACE.



### NOTICE

If dual surface, adjust the keyboard up and down to ensure that the cable does not bind or restrict travel.



### NOTICE

Mouse retainer is optional and is normally installed on the back of the keyboard surface. The mouse retainer is a press fit or can be attached using two (2) #8 x 1/2" pan head screws.