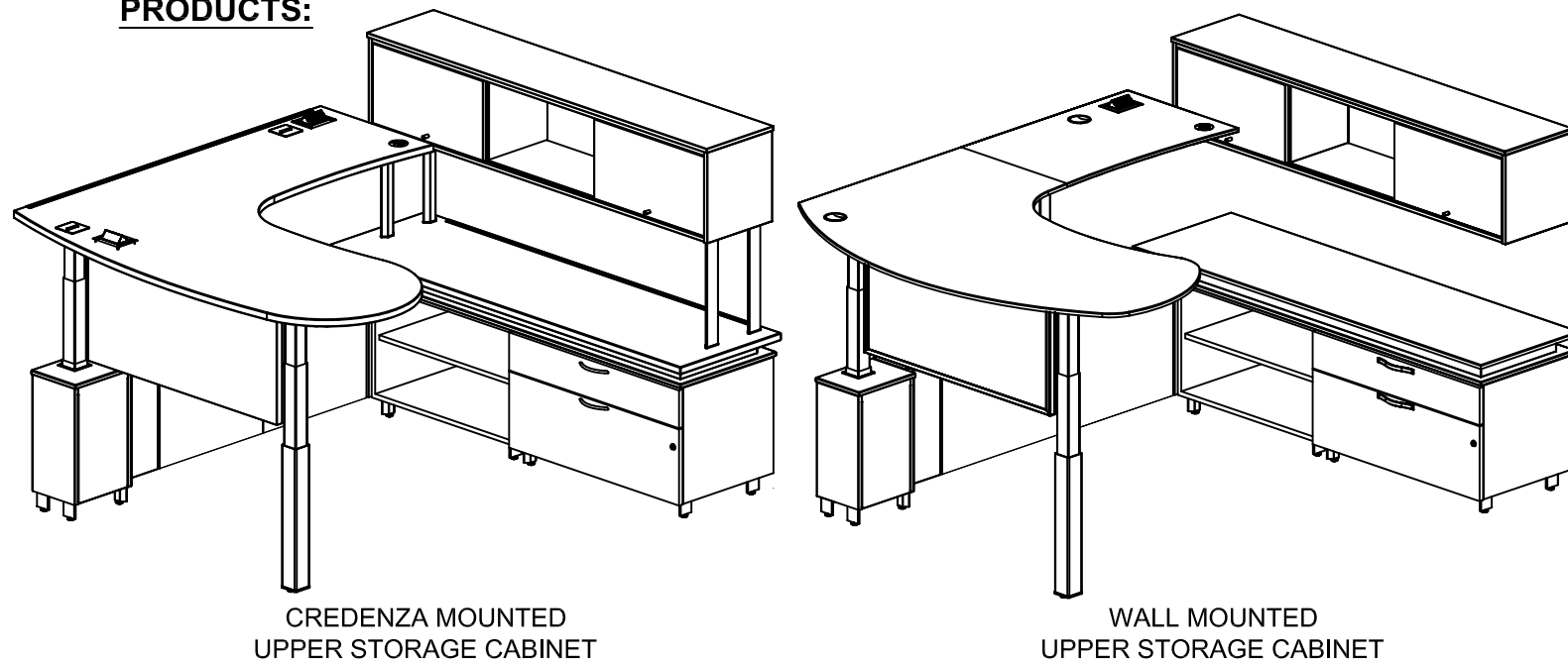


MARKER COLLECTION - UPPER STORAGE LIGHT KIT

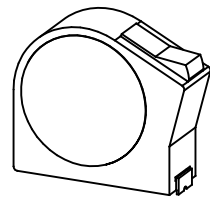
INSTALLATION INSTRUCTIONS

P/N 25416-01
REV: A 03-01-16
SHEET 1 OF 2

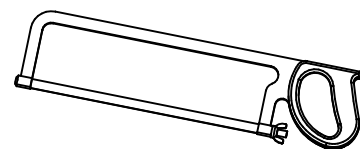
PRODUCTS:



TOOLS REQUIRED:



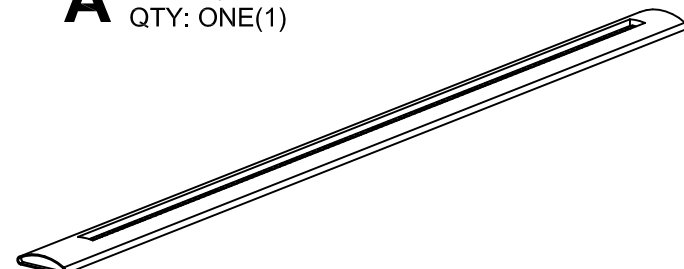
TAPE MEASURE



HACK SAW

PARTS INCLUDED:

A LIGHT (WITH MOUNTING HARDWARE AND CORD)
QTY: ONE(1)

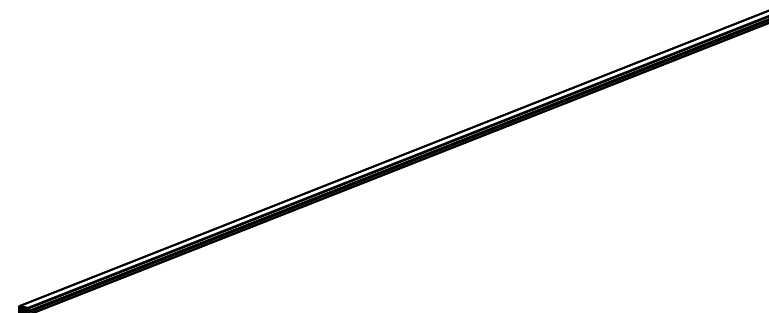


B CABLE MANAGER
QTY: ONE (1)



16 - 1/4" LENGTH
FOR CREDENZA MOUNTED CABINET
(PAINTED TO MATCH CABINET LEGS)

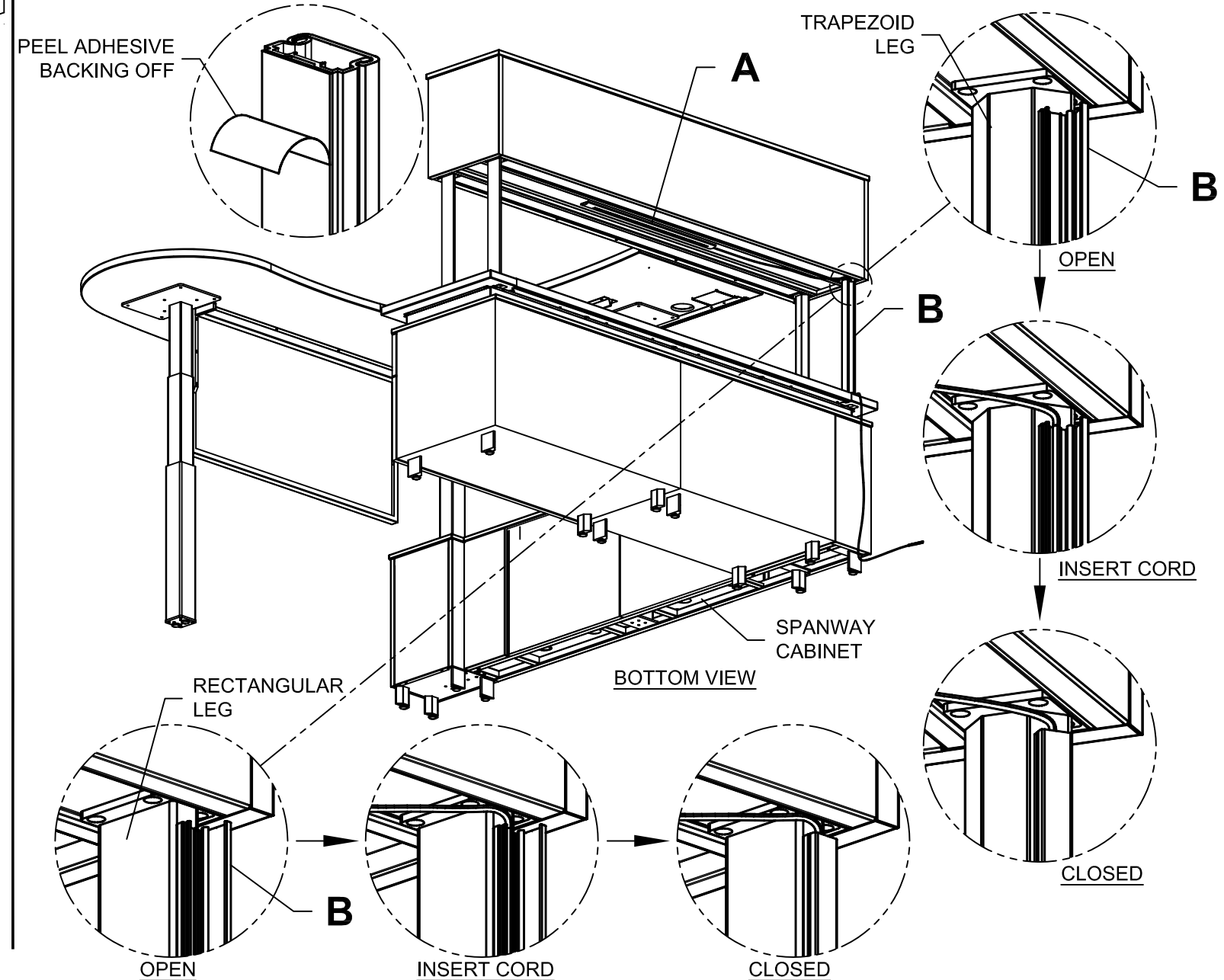
OR



6' FT. LENGTH
FOR WALL MOUNTED CABINET
(UNPAINTED)

PROCEDURE:

- 1.** MOUNT LIGHT TO BOTTOM OF UPPER STORAGE CABINET USING INCLUDED HARDWARE. CONNECT LIGHT POWER CORD. THE POWER CORD SHOULD BE ORIENTED TOWARD THE SPANWAY CABINET.
- 2.** FOR CREDENZA MOUNTED UPPER STORAGE CABINETS: OPEN THE CABLE MANAGER. PEEL THE BACKING PAPER OFF THE ADHESIVE. POSITION THE CABLE MANAGER ON THE BACK FLANGE OF THE REAR LEG AS SHOWN. THE CABLE MANAGER OPENING SHOULD FACE THE INSIDE OF THE CABINET. THE CABLE MANAGER SHOULD BE CENTERED VERTICALLY ON THE CABINET LEG. PRESS THE CABLE MANAGER TO THE LEG TO ATTACH. INSERT THE LIGHT POWER CORD INTO THE CABLE MANAGER. CLOSE CABLE MANAGER.



Contact Customer Service at 888-512-7036 with any questions.

MARKER COLLECTION - UPPER STORAGE LIGHT KIT

INSTALLATION INSTRUCTIONS

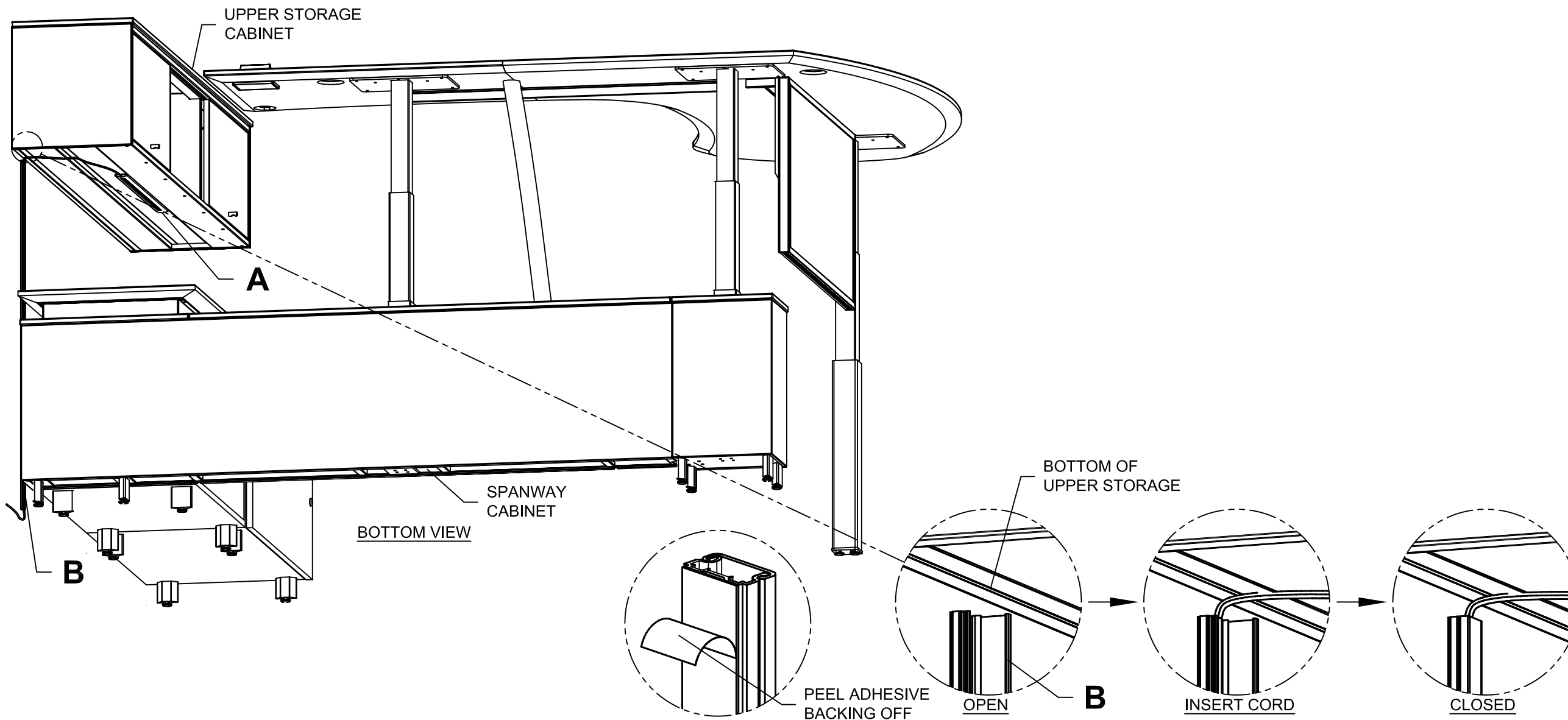
P/N 25416-01 SHEET 2 OF 2

PROCEDURE (CONTINUED):

STEP 2 CONTINUED

FOR WALL MOUNTED UPPER STORAGE CABINETS:

DETERMINE THE REQUIRED LENGTH FOR THE CABLE MANAGER AND CUT OFF EXCESS. DEBURR CUT END OF CABLE MANAGER. IF CABLE MANAGER IS TO BE PAINTED, PAINT AND LET DRY BEFORE PROCEEDING. OPEN THE CABLE MANAGER. PEEL THE BACKING PAPER OFF THE ADHESIVE. POSITION THE CABLE MANAGER AT THE REAR CORNER OF THE CABINET (ABOVE THE SPANWAY CABINET) AND PRESS IT AGAINST WALL TO ATTACH. INSERT THE LIGHT POWER CORD INTO THE CABLE MANAGER. CLOSE CABLE MANAGER.



- 3.** THE LIGHT POWER CORD CAN BE ROUTED INTO THE SPANWAY CABINET AND PLUGGED INTO THE POWER DISTRIBUTION HARNESS. SEE THE "MARKER COLLECTION ELECTRICAL AND CABLE MANAGEMENT SYSTEMS" INSTRUCTION SHEET FOR DETAILS.