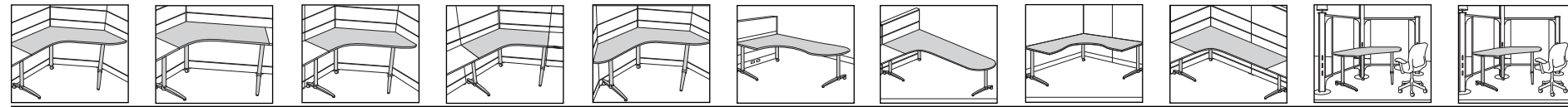


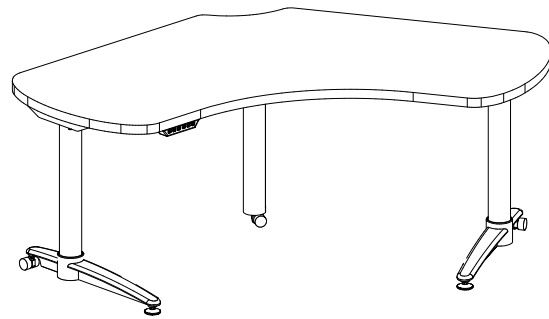
NEXT - 3 LEGGED ELECTRIC HEIGHT-ADJUSTABLE TABLE

INSTALLATION INSTRUCTIONS

WORKSURFACE SHAPES



PRODUCTS:



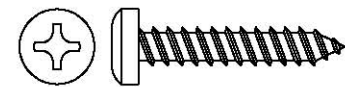
PARTS INCLUDED:

A - WORKSURFACE (will vary depending on work surface ordered)

B - ELECTRIC BASE ASSEMBLY FOR 3-LEGGED ASSEMBLY

C - LEG COLUMN ASSEMBLIES
QTY: (2 - return ends
1- corner column)

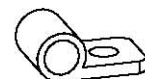
D - #12 X 1/8" PAN HEAD SCREW
QTY: TWENTY-EIGHT (28)



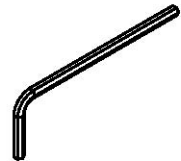
E - #8 X 3/4" PAN HEAD SCREW
QTY: TWENTY (20)



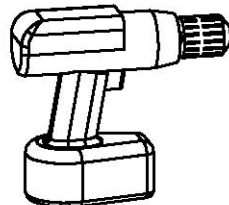
F - CABLE CLAMP 3/8"
QTY: FOURTEEN (14)



TOOLS REQUIRED:



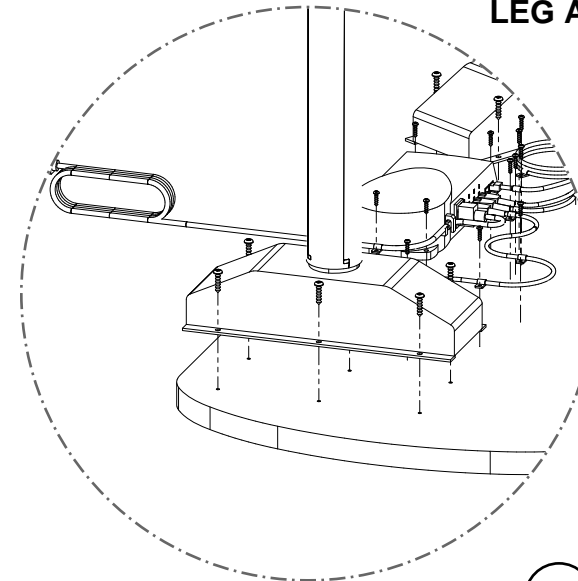
3/16" ALLEN WRENCH



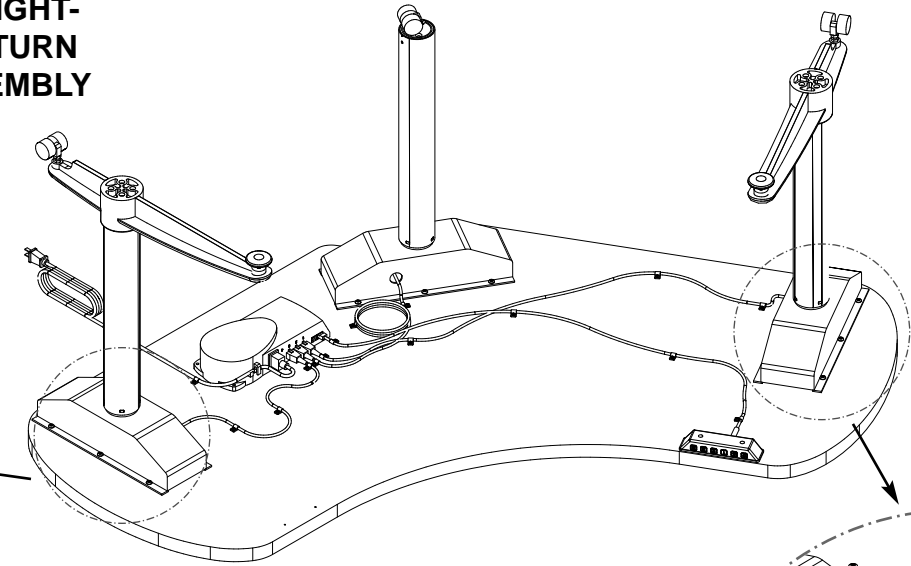
POWER SCREWDRIVER

#2 PHILLIPS DRIVER TIP
#3 PHILLIPS DRIVER TIP

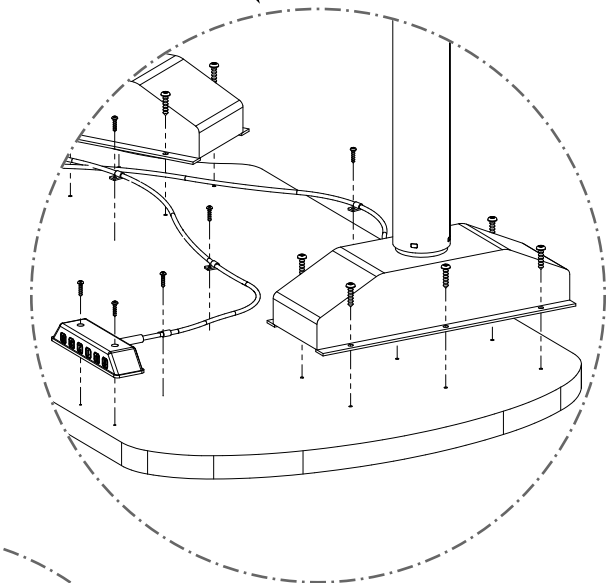
USER'S RIGHT-HAND RETURN LEG ASSEMBLY



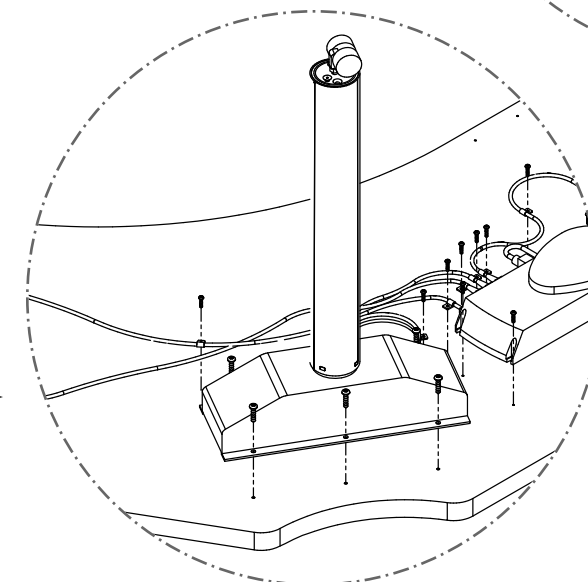
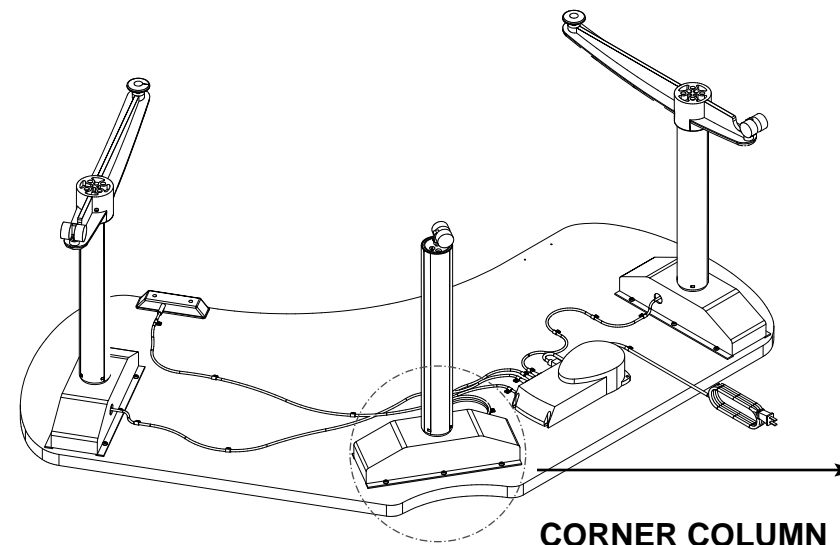
USER'S LEFT-HAND RETURN LEG ASSEMBLY



1 LAY WORK SURFACE UPSIDE DOWN ON A CLEAN SURFACE AND POSITION LEG ASSEMBLY OVER THE PRE-DRILLED HOLES. ATTACH EACH BASE TO THE WORK SURFACE USING #12 1 1/8" PAN HEAD SCREWS.



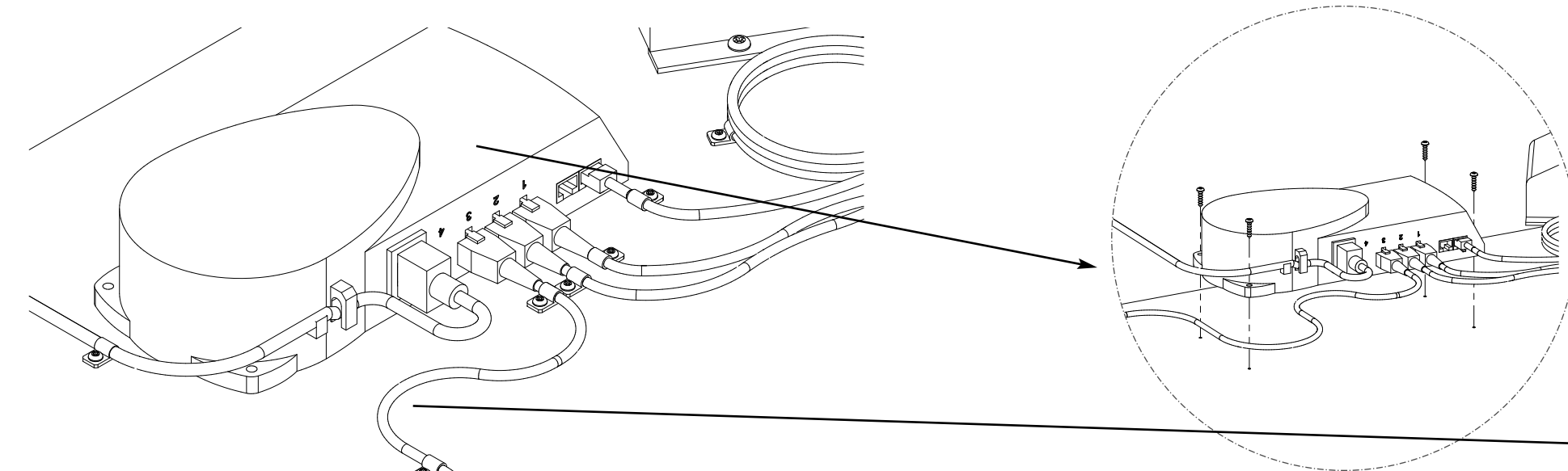
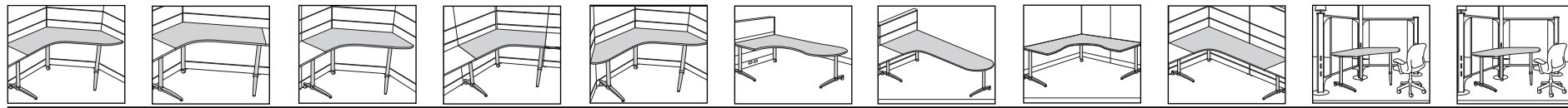
CORNER COLUMN LEG ASSEMBLY



NEXT - 3 LEGGED ELECTRIC HEIGHT-ADJUSTABLE TABLE

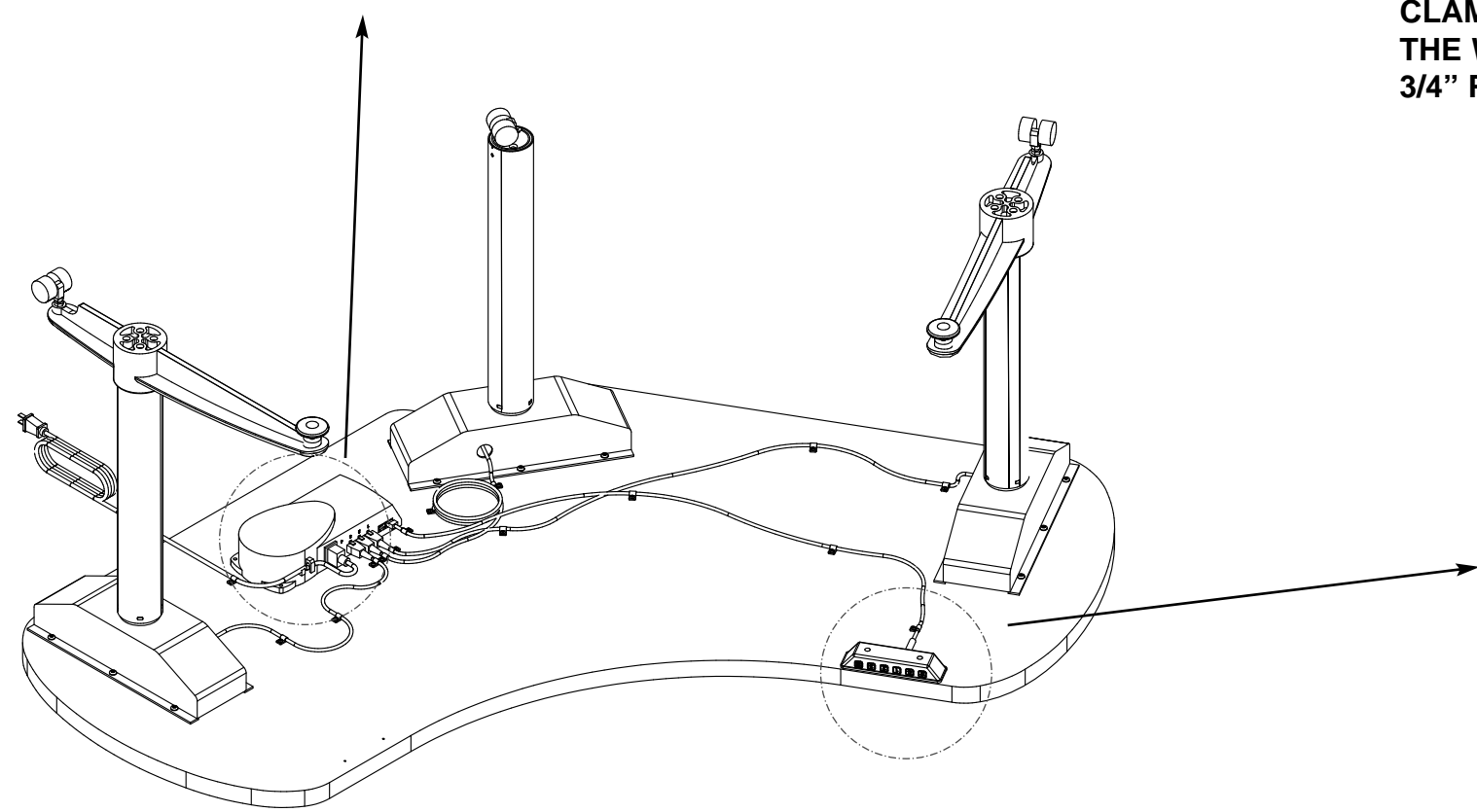
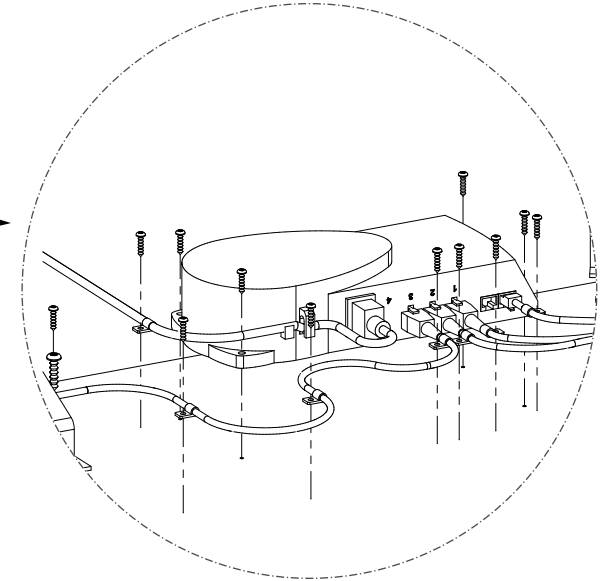
INSTALLATION INSTRUCTIONS

WORKSURFACE SHAPES



2 POSITION CONTROL UNIT OVER PRE-DRILLED HOLES AND ATTACH TO THE WORKSURFACE USING #8 x 3/4" PANHEAD SCREWS.

3 THREAD ELECTRICAL CABLES THROUGH THE 3/8" CABLE CLAMPS AND ATTACH CLAMPS TO THE WORKSURFACE USING #8 X 3/4" PAN HEAD SCREWS.



4 POSITION ELECTRIC KEYPAD OVER PRE-DRILLED HOLES AND ATTACH WITH #8 x 3/4" PANHEAD SCREWS.

