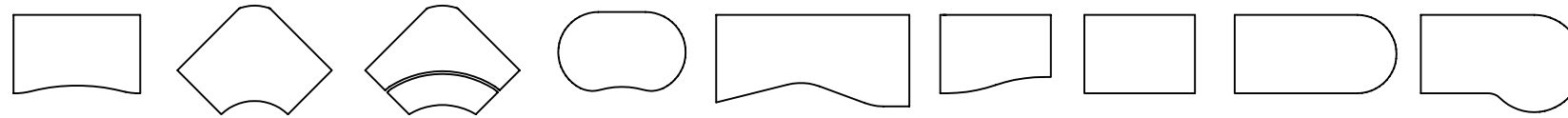


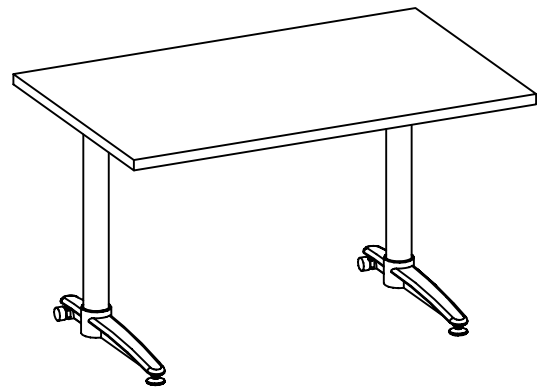
NEXT - FIXED TABLE - 2 LEG BASE

INSTALLATION INSTRUCTIONS

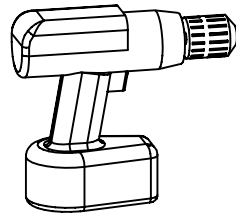
WORK SURFACE SHAPES:



PRODUCTS:

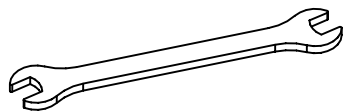


TOOLS REQUIRED:



POWER SCREWDRIVER

#2 PHILLIPS DRIVER TIP
#3 PHILLIPS DRIVER TIP

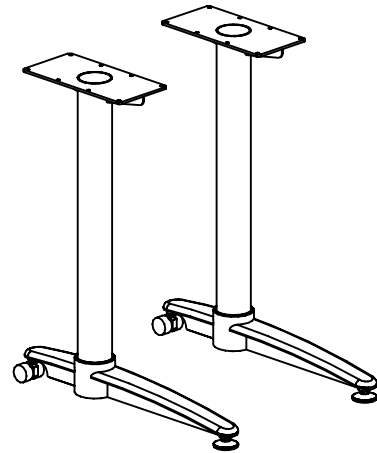


1/2" OPEN END WRENCH

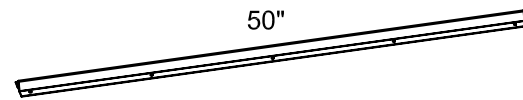
PARTS INCLUDED:

A WORKSURFACE
(SEE SHAPES ABOVE)

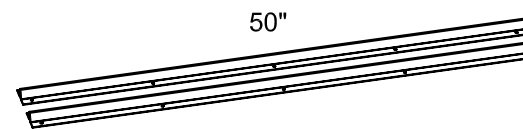
B FIXED LEG ASSEMBLIES
QTY: TWO (2)



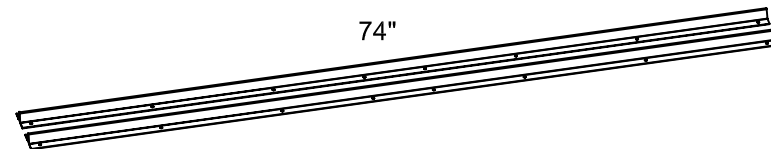
C TOP STIFFENER(S)
QTY: NONE, ONE (1), OR TWO (2)



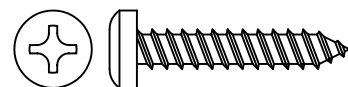
OR



OR

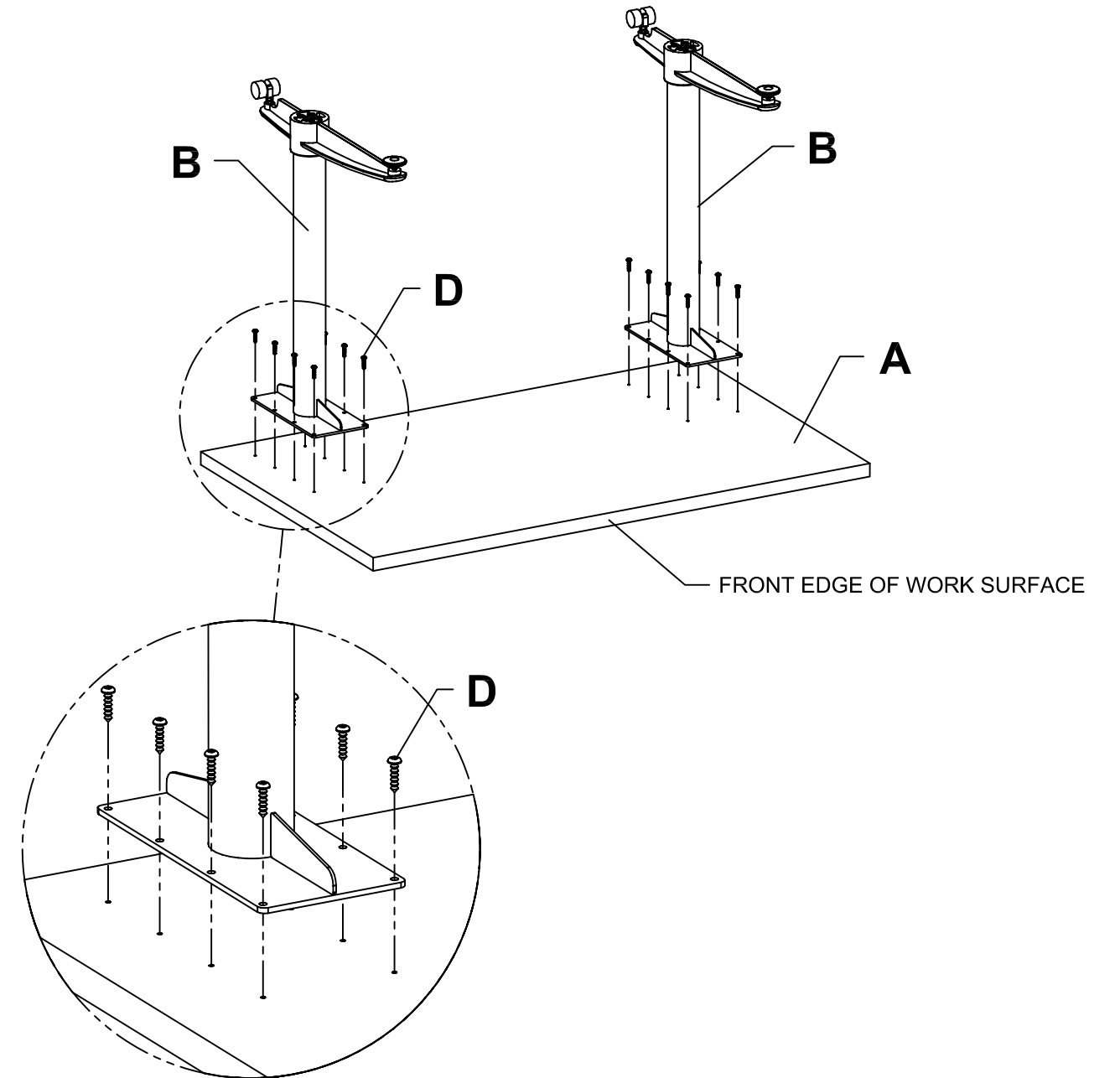


D #12 X 1 1/8" PAN HEAD SCREW
QTY: FORTY-EIGHT (48)



PROCEDURE:

1. LAY WORK SURFACE UPSIDE DOWN ON A CLEAN SURFACE AND POSITION LEGS OVER PRE-DRILLED HOLES. ORIENT THE LEGS SO THAT THE CASTERS ARE TOWARD THE REAR EDGE OF THE WORK SURFACE AND GLIDES TOWARD THE FRONT EDGE OF THE WORK SURFACE. ATTACH LEGS TO WORK SURFACE USING EIGHT (8) # 12 X 1 1/8" PAN HEAD SCREWS IN EACH TOP MOUNTING BRACKET.

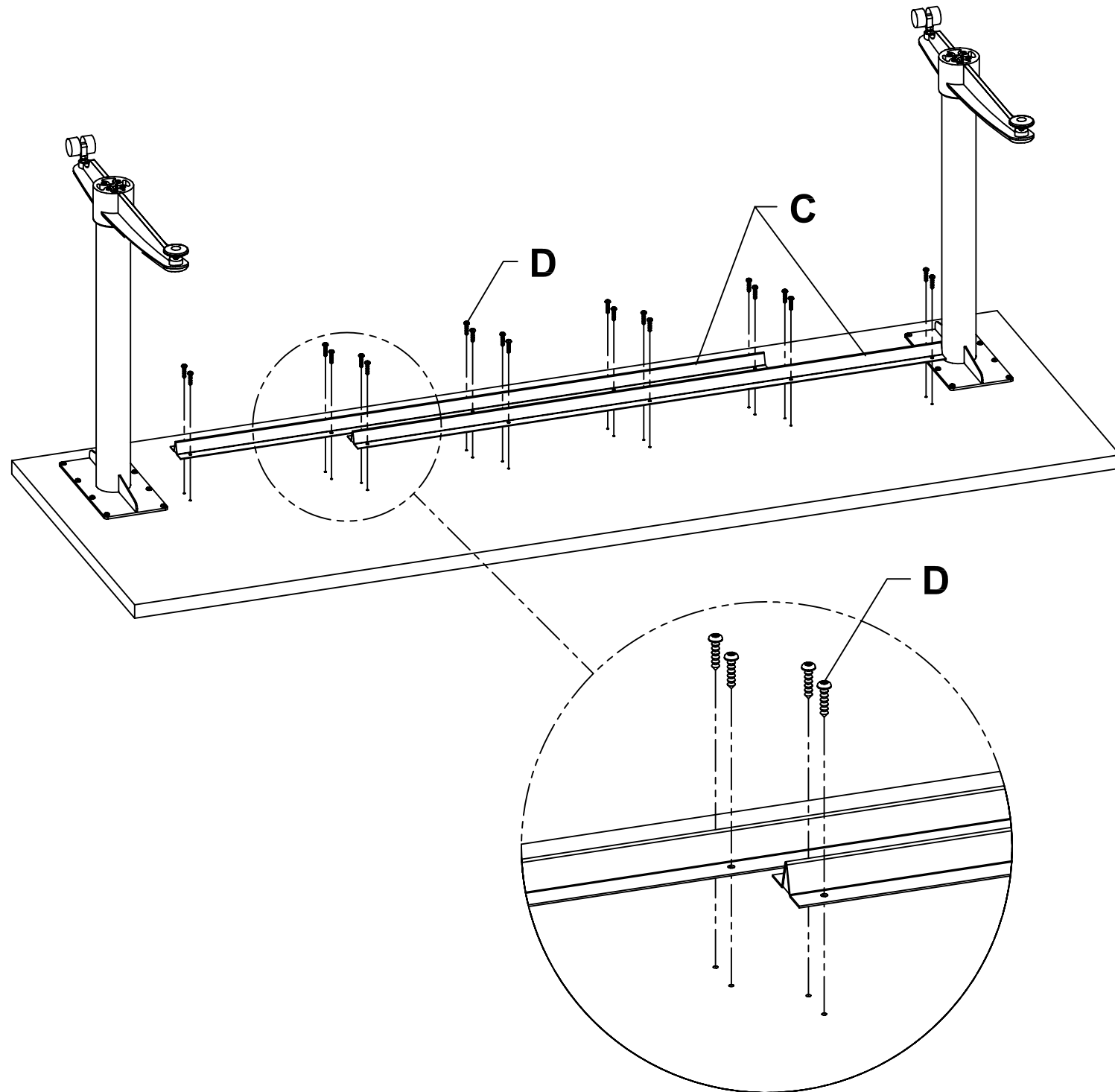


NEXT - FIXED TABLE - 2 LEG BASE

INSTALLATION INSTRUCTIONS

PROCEDURE (CONTINUED):

- 2.** IF TOP STIFFENER(S) ARE INCLUDED WITH THE TABLE, POSITION THE STIFFENER(S) OVER THE PRE-DRILLED HOLES IN THE WORK SURFACE. ATTACH STIFFENER(S) TO WORK SURFACE USING #12 X 1 1/8" PAN HEAD SCREWS.

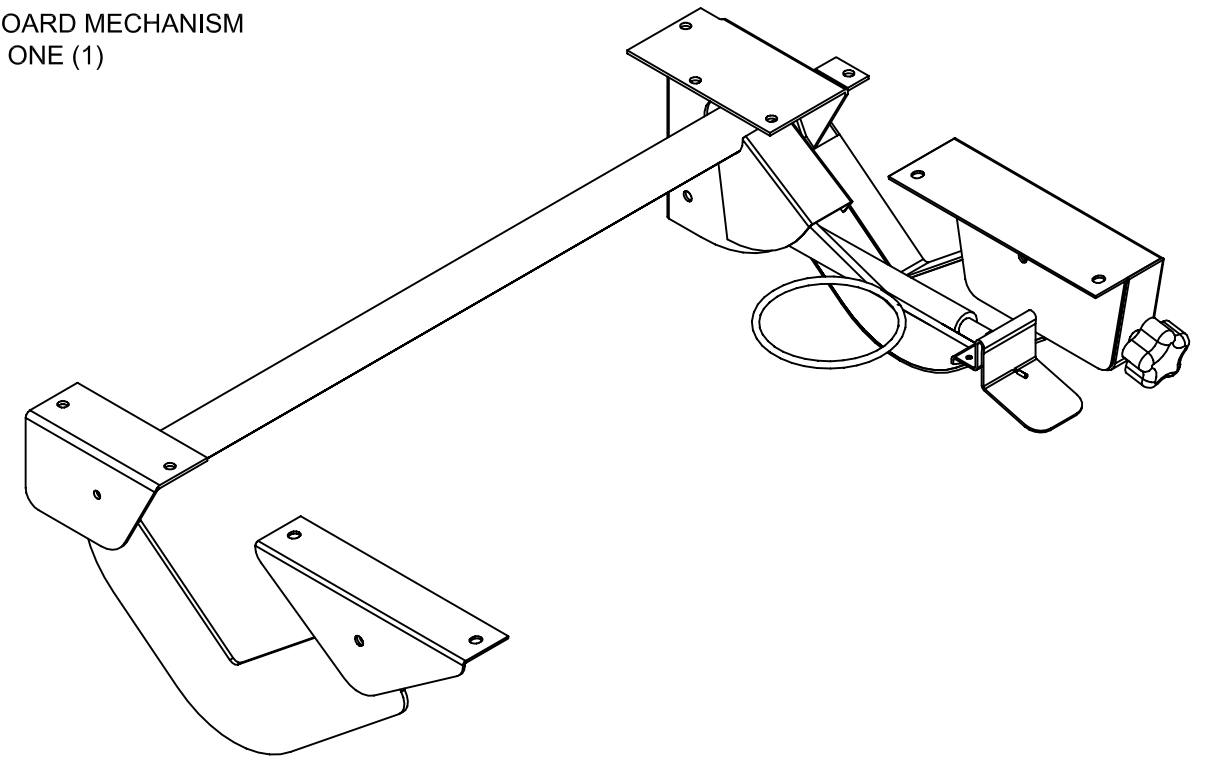


NOTICE

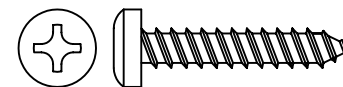
The following instructions are for installing a Keyboard Mechanism on a Dual Surface table. If installing a Single Surface table, proceed to Step 5 of these instructions.

**PARTS INCLUDED FOR DUAL SURFACE TABLE
(PACKED WITH KEYBOARD MECHANISM):**

- E** KEYBOARD MECHANISM
QTY: ONE (1)



- F** #12 X 1 1/8" PAN HEAD SCREW
QTY: TEN (10)



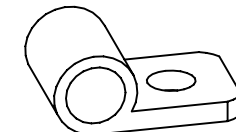
- G** #8 X 3/4" PAN HEAD SCREW
QTY: FOUR (4)



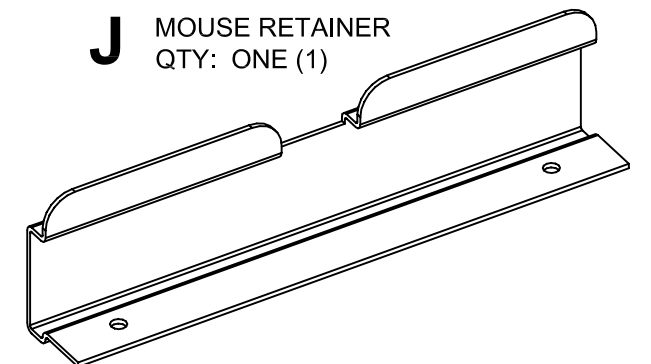
- H** #8 X 1/2" PAN HEAD SCREW
QTY: TWO (2)



- I** CABLE CLAMP 1/4"
QTY: TWO (2)



- J** MOUSE RETAINER
QTY: ONE (1)



NEXT - FIXED TABLE - 2 LEG BASE

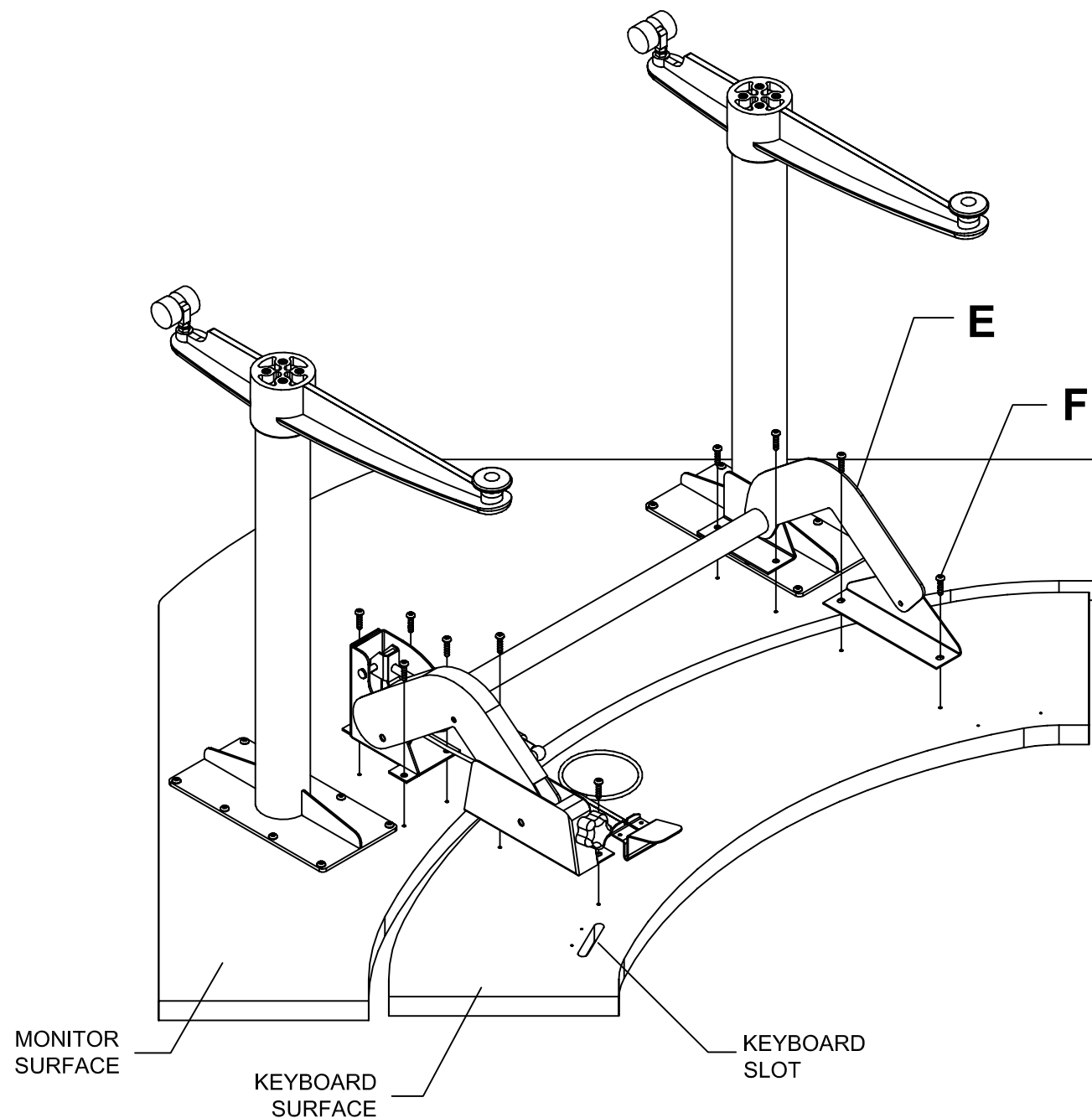
INSTALLATION INSTRUCTIONS

P/N 22366-01 SHEET 3 OF 4

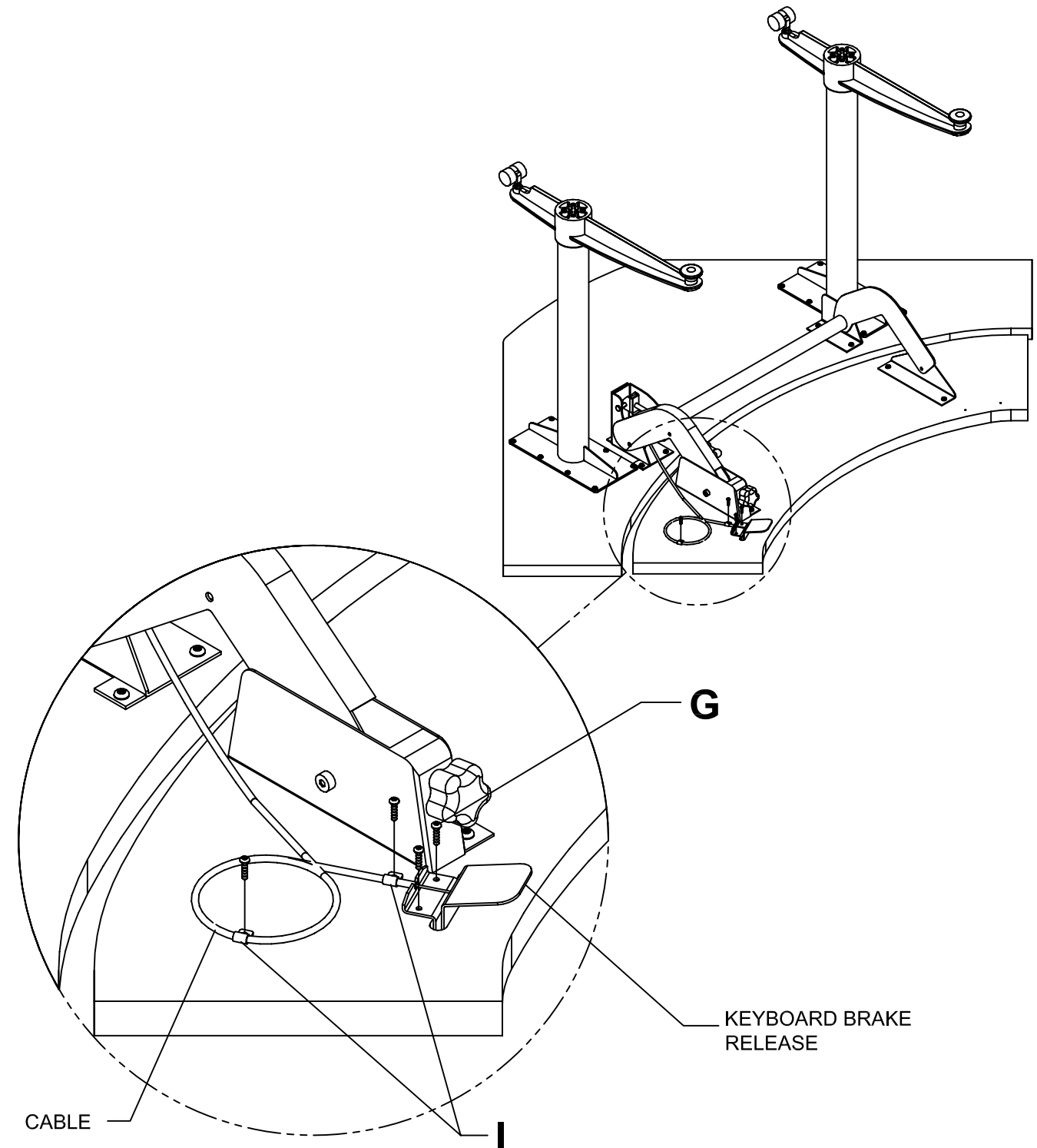
PROCEDURE (CONTINUED):

DUAL SURFACE TABLE KEYBOARD MECHANISM INSTALLATION:

- 3.** LAY KEYBOARD SURFACE UPSIDE DOWN IN FRONT OF MONITOR SURFACE WITH SLOT TOWARD FRONT OF TABLE. POSITION KEYBOARD MECHANISM OVER PRE-DRILLED HOLES. ATTACH KEYBOARD ARM TO MONITOR SURFACE USING TWO (2) #12 X 1 1/8" PAN HEAD SCREWS ON ONE SIDE AND FOUR (4) ON THE OTHER SIDE (AS SHOWN). ATTACH KEYBOARD ARM TO KEYBOARD SURFACE USING TWO (2) #12 X 1 1/8" PAN HEAD SCREWS ON EACH SIDE.



- 4.** INSERT KEYBOARD BRAKE RELEASE IN SLOT (AS SHOWN). ATTACH WITH TWO (2) #8 X 3/4" PAN HEAD SCREWS. PLACE ONE (1) PLASTIC CABLE CLAMP ON CABLE APPROXIMATELY 1" BEHIND RELEASE HANDLE AND SECURE WITH ONE (1) #8 X 3/4" PAN HEAD SCREW. IF NECESSARY, FORM A LOOP WITH EXCESS CABLE AND SECURE WITH PLASTIC CABLE CLAMP AND ONE (1) #8 X 3/4" PAN HEAD SCREW.

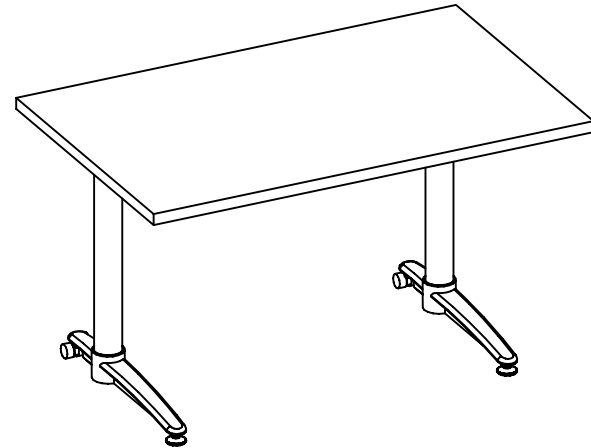


NEXT - FIXED TABLE - 2 LEG BASE

INSTALLATION INSTRUCTIONS

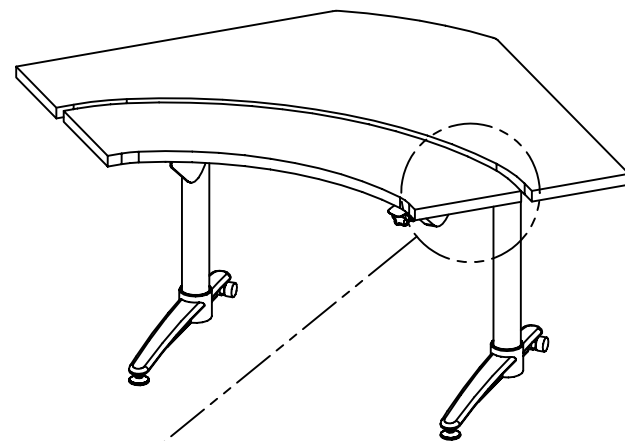
PROCEDURE (CONTINUED):

- 5.** STAND THE TABLE UPRIGHT AND MOVE INTO POSITION MAINTAINING PROPER CLEARANCE WITH ADJACENT SURFACES.

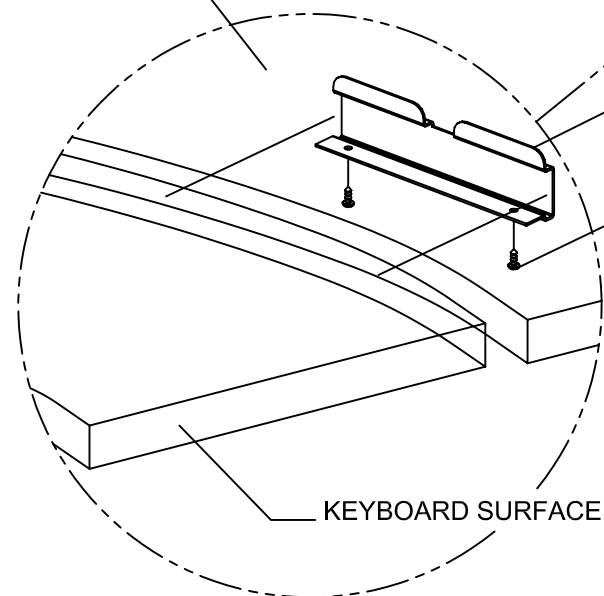


NOTICE

If dual surface, adjust the keyboard up and down to ensure that the cable does not bind or restrict travel.



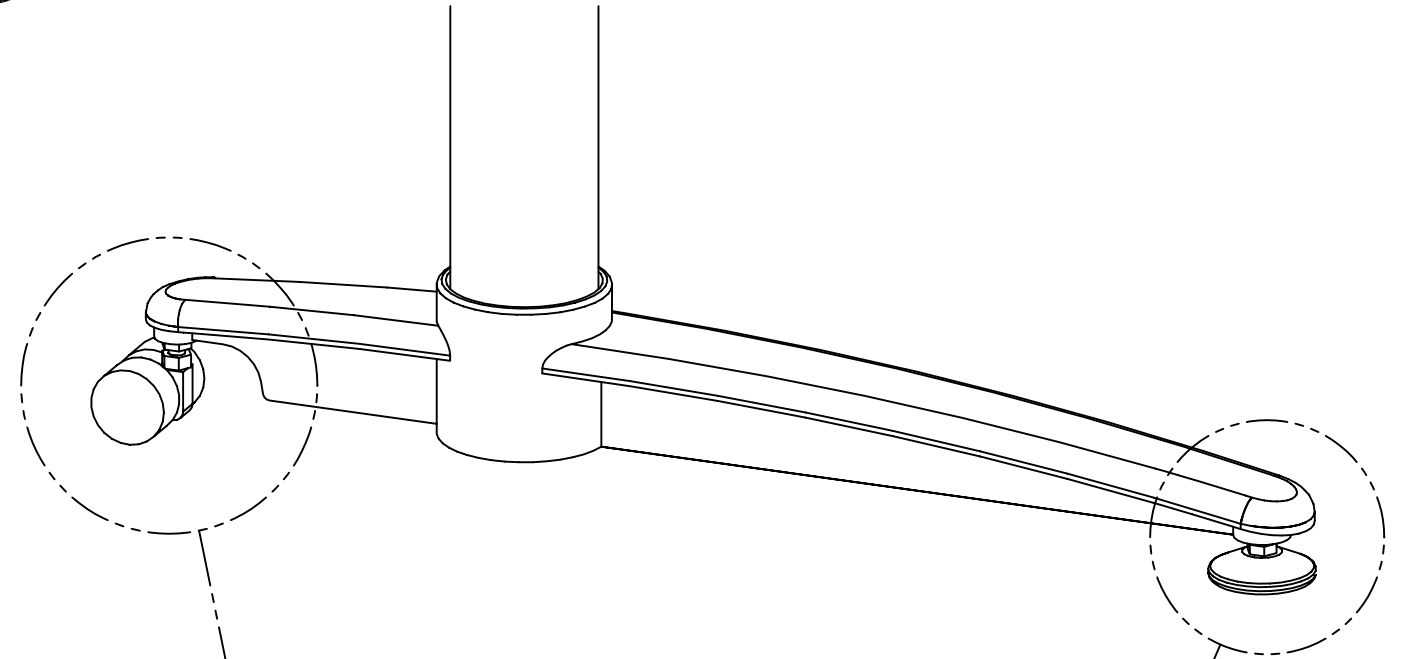
MONITOR SURFACE



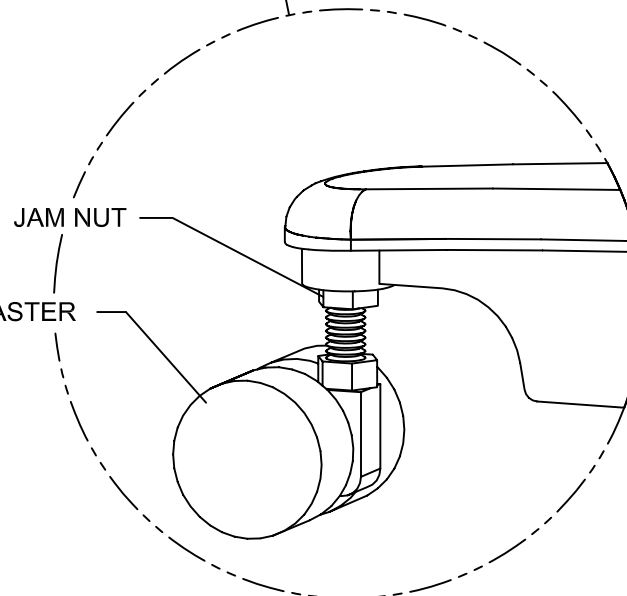
NOTICE

Mouse retainer is optional and is normally installed on the back of the keyboard surface. The mouse retainer is a press fit or can be attached using two (2) #8 x 1/2" pan head screws.

- 6.** ADJUST THE GLIDES ON THE FRONT OF THE FOOT AND CASTERS ON THE REAR TO LEVEL THE WORK SURFACE



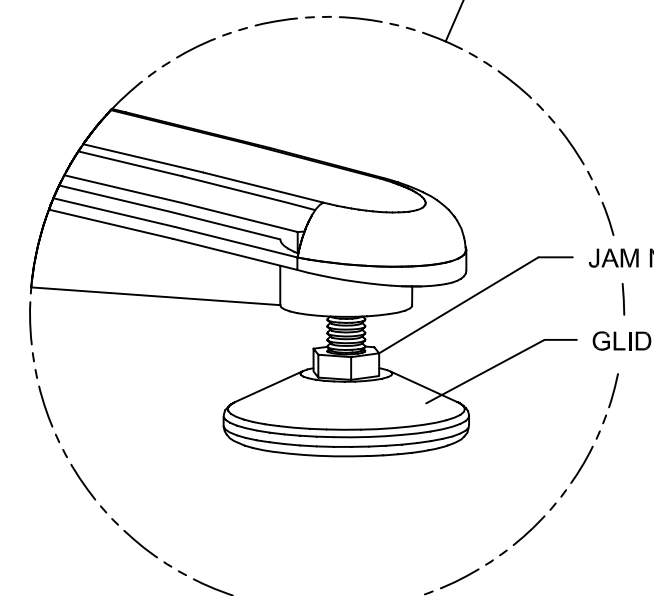
JAM NUT
CASTER



NOTICE

After adjusting the height of the caster, tighten the jam nut against the bottom of the foot.

JAM NUT
GLIDE



NOTICE

The glide includes a jam nut that can be tightened against the bottom of the foot to lock the height adjustment.